

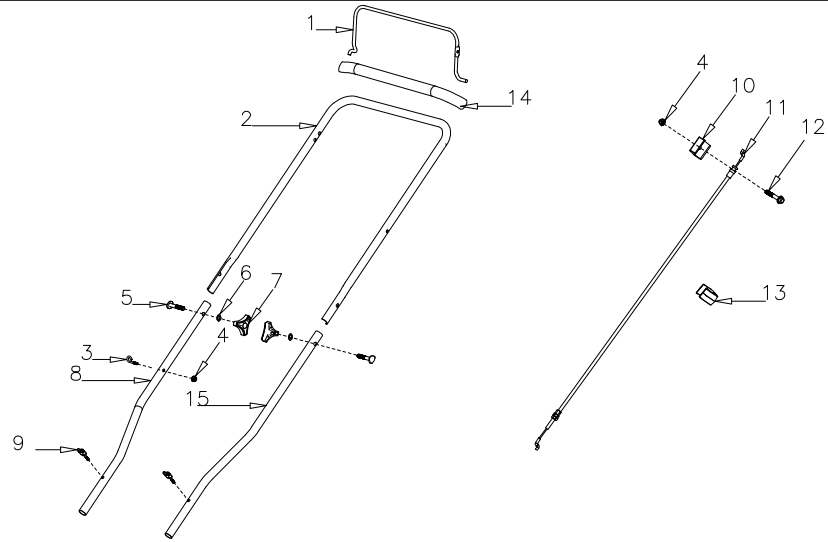
MODEL	Y145V ENGINE
NO.210E7002	

Numer	Kod	Nazwa angielska	Ilość
A1-01	492000	Screw	3
A1-02	492001	Engine Cover	1
B1-01	492002	Nut M6	3
B1-02	481690	Recoil start	1
C1-01	481691	Blower Housing	1
D1-01	481692	Nut M14*1.5	1
D1-02	480351	Start-up Hub	1
D1-03	481695	Fan	1
D1-04	480347	Bolt I	1
D1-05	492003	Bolt M6*25	1
D1-06	492004	Spark plug	1
D1-07	481697	Ignition	1
D1-08	481711	Flywheel	1
D1-09	481712	Back plate	1
D1-10	492005	Bolt M6*18	2
E1-01	492006	Brake Assy	1
E1-02	481725	Bolt M5*12	2
E1-03	492007	Bolt M5*18	1
E1-04	492008	Bolt II	2
F1-01	492009	Bolt M5*10	3
F1-02	492010	Muffler Cover	1
F1-03	492011	Bolt M6*330	2
F1-04	481727	Muffler Assy	1
F1-05	481730	Gasket of Muffler	1
F1-06	492012	Muffler Bush	2
G-01	481725	Bolt M5*12	4
G-02	481732	Cylinder Head Cover	1
G-03	481738	Gasket of Cylinder Head Cover	1
G-04	492013	Bolt M8*45	4
G-05	481742	Rocker of Valve	2
G-06	481745	pin	1
G-07	480495	Spring Coil of outlet Valve	2
G-08	480492	Spring of Valve	2
G-09	480378	Oil Seal	2
G-10	481358	Cylinder Head Assy	1
G-11	481359	Inlet valve	2
G-12	481750	Gasket of Cylinder Head	1
G-13	481389	Guide Board of Handspike	2
G-14	481391	Tappet	2
G-15	481395	Camshaft Assy	1
H3-01	480390	Bolt M6*92	2
H3-02	481444	Paper Gasket of Inlet Pipe	1
H3-03	481897	Air Inlet Pipe	1
H3-04	481899	Paper Gasket of Carburetor	1
H3-05	481925	Gasket	1
H3-06	492014	Exhaust Pipe	1
H3-07	492015	Nut M6	2
H3-08	481930	Foam Filter Element	1
H3-09	482041	Air Filter Upper Cover	1

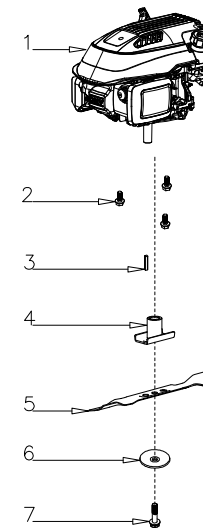
H3-10	482043	#N/D	1
H3-11	482047	#N/D	1
J-01	481693	Lubricating Gauge	1
J-02	483267	"o" Ring $\phi 20 * \phi 2.3$	1
J-03	483268	Lubricating Pipe Assy	1
J-04	483266	Screw	2
J-05	481699	"O" Ring $\phi 21 * \phi 2.3$	1
K-01	480812	Crankcase	1
K-02	480815	Oil Seal	1
K-03	480817	Speed Regulator Rocker Spindle	1
K-04	492016	Flat Washer	1
K-05	492017	Oil Seal	1
K-06	492018	Springness Split Pin	1
K-07	492019	Valve Element	1
K-08	492020	Screw	1
K-09	492021	Gasket of Respirator Cover	1
K-10	492022	Respirator Cover Plate	1
K-11	492023	Screw	3
K-12	492024	Locating Pin	2
L-01	480438	Piston Ring I	1
L-02	480437	Piston Ring II	1
L-03	480435	Scraper Ring	2
L-04	480436	Bushing Ring	1
L-05	480890	Piston	1
L-06	480893	Spring	2
L-07	480894	Piston Pin	1
L-08	480915	Connecting Rod Assy	1
M1-01	480916	Crankshaft	1
M1-02	492025	Gasket of Gear	1
N-01	492026	Locating Pin of Crankcase	2
N-02	480918	Gasket of Crankcase	1
N-03	492027	Washer	2
N-04	492028	Circlip of Gear shaft	1
N-05	480931	Gear Shaft Assy	1
N-06	492029	Sliding Sleeve	1
N-07	480538	Gear Shaft Hold-down Plate	1
N-08	481650	Bolt M6*12	1
N-09	480947	Crankcase Cover	1
N-10	492030	Bolt M6*330	7
N-11	480535	Oil Seal	1
P2-01	492031	Handspike of Valve	1
P2-02	492032	Spring of Valve	1
P2-03	492033	Bolt M6*23	1
P2-04	492034	#N/D	1
P2-05	492035	Nut M6	1
P2-06	481650	Bolt M6*12	2
P2-07	492036	Speed Regulator	1
P2-08	480963	Speed Regulator Spring	1
P2-09	492037	Handspike	1
P2-10	492038	Speed Regulator Spring	1

P2-11	492039	Screw	1
P2-12	492040	Plate	1
Q-01	480405	Fuel Tank Cap	1
Q-02	480406	Seal Gasket of Fuel Tank Cap	1
Q-03	483269	Connecting Rope	1
Q-04	481687	Fuel Tank	1
Q-05	492041	Bolt M6*30	1
Q-06	492042	Spring washer	1
Q-07	492043	Washer	2
Q-08	480680	Bolt M6*22	1
Q-09	492044	Gasket	2
Q-10	480022	Nut M6	1
Q-11	481688	Oil Pipe	1
Q-12	492045	Oil Pipe Circlip II	1
Q-13	492046	Oil Pipe Fixing Clip	1
Q-14	481751	Filtering Net Duct of Fuel	1
Q-15	492047	Oil Pipe Circlip I	1
Q-16	492048	Lubricate Filtering Net	1

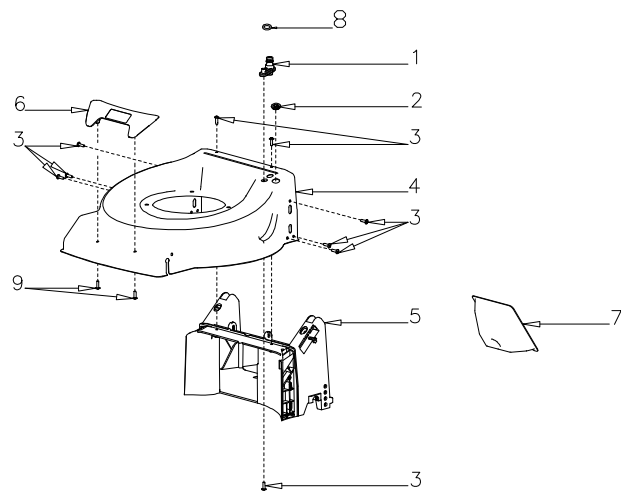
A



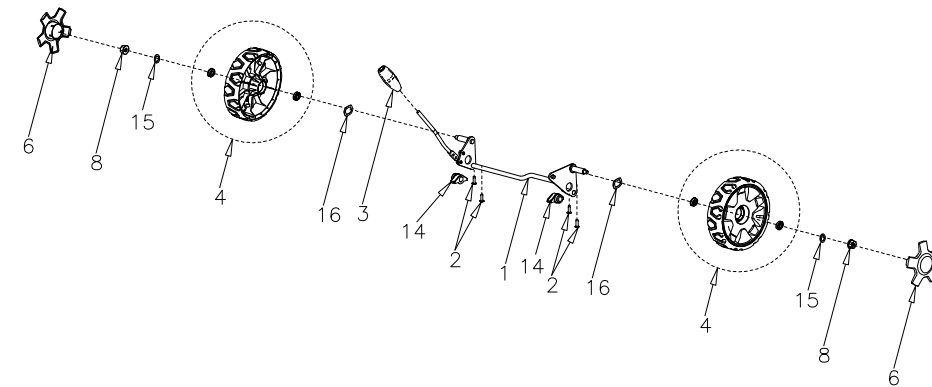
B



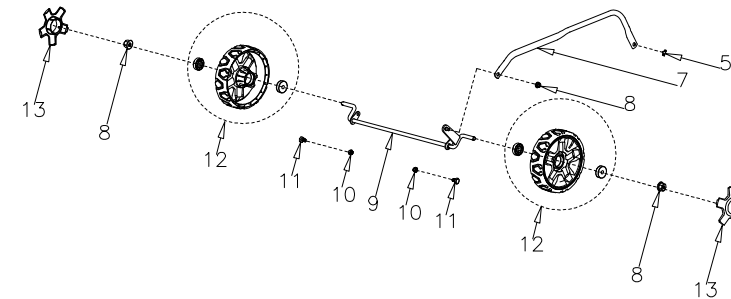
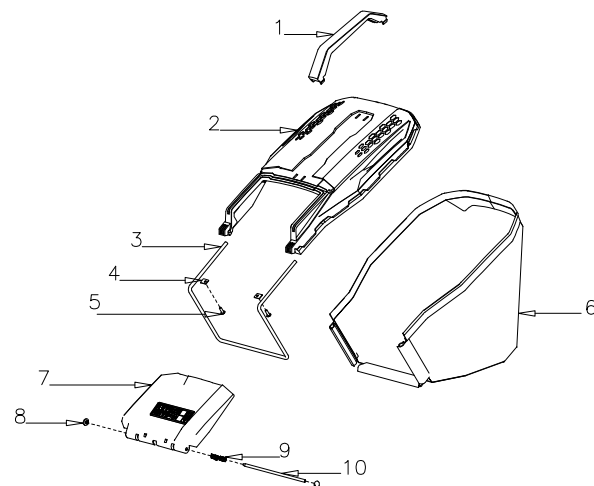
C



D



E



MODEL	X42P-B1
	NO.210E7002

Numer	Kod	Nazwa angielska	Ilość
A-1	484000	Brake Lever	1
A-2	484001	upper handle	1
A-3	484002	Rope Guide	1
A-4	480088	Nut M6	2
A-5	484003	Bolt M8*40	2
A-6	481696	Flat Washer	2
A-7	480123	Knob	2
A-8	484004	Lower handle	1
A-9	484005	Knob	2
A-10	481586	Cable Fixing Clamp	1
A-11	480118	Brake Cable	1
A-12	481599	Bolt M6*32	1
A-13	484006	Cable Support	1
A-14	484007	Foam Pipe	1
A-15	484008	Lower handle	1
B-1	484009	Engine	1
B-2	481133	Bolt M8*25	3
B-3	481134	Flat Key	1
B-4	480240	Blade Adapter	1
B-5	484010	Blade	1
B-6	480142	Blade Washer	1
B-7	480143	Blade Bolt	1
B-8	484011	Screw	3
B-9	484012	Engine Cover	1
B-10	481751	Filtering Net Duct of Fuel	1
B-11	484013	Oil Pipe Circlip I	1
C-1	484014	Washing Linker	1
C-2	480627	Cable Sleeve	1
C-3	481621	Screw	9
C-4	484015	Deck	1
C-5	484016	Back board	1
C-6	484017	Front face	1
C-7	484018	Mulching Plug	1
C-8	481619	O ring	1
C-9	481129	Screw	2
D-1	484019	Rear wheel shaft	1
D-2	481621	Screw	4
D-3	484020	Height adjustment handle	1
D-4	484021	7inch wheel	2
D-5	484022	Split Pin	1
D-6	484023	7inch wheel cover	2
D-7	484024	Height adjustment connecting Rod	1
D-8	480088	Nut M6	5
D-9	484025	Front wheel shaft	1
D-10	480066	Nut M6	2
D-11	481650	Bolt M6*12	2
D-12	484026	6" Wheel	2
D-13	484027	6" Outer Wheel Cover	2
D-14	484028	Front face	2



D-15	484029	Flat Washer	2
D-16	484030	Spring Washer	2
E-1	484031	Handle	1
E-2	484032	upper cover	1
E-3	484033	Metal Bracket	1
E-4	484034	Indicated Board	2
E-5	484035	Screw	2
E-6	484036	Fabric bag	1
E-7	484037	Rear cover	1
E-8	484038	plug	2
E-9	484039	Spring	1
E-10	484040	Rear Cover Shaft	1