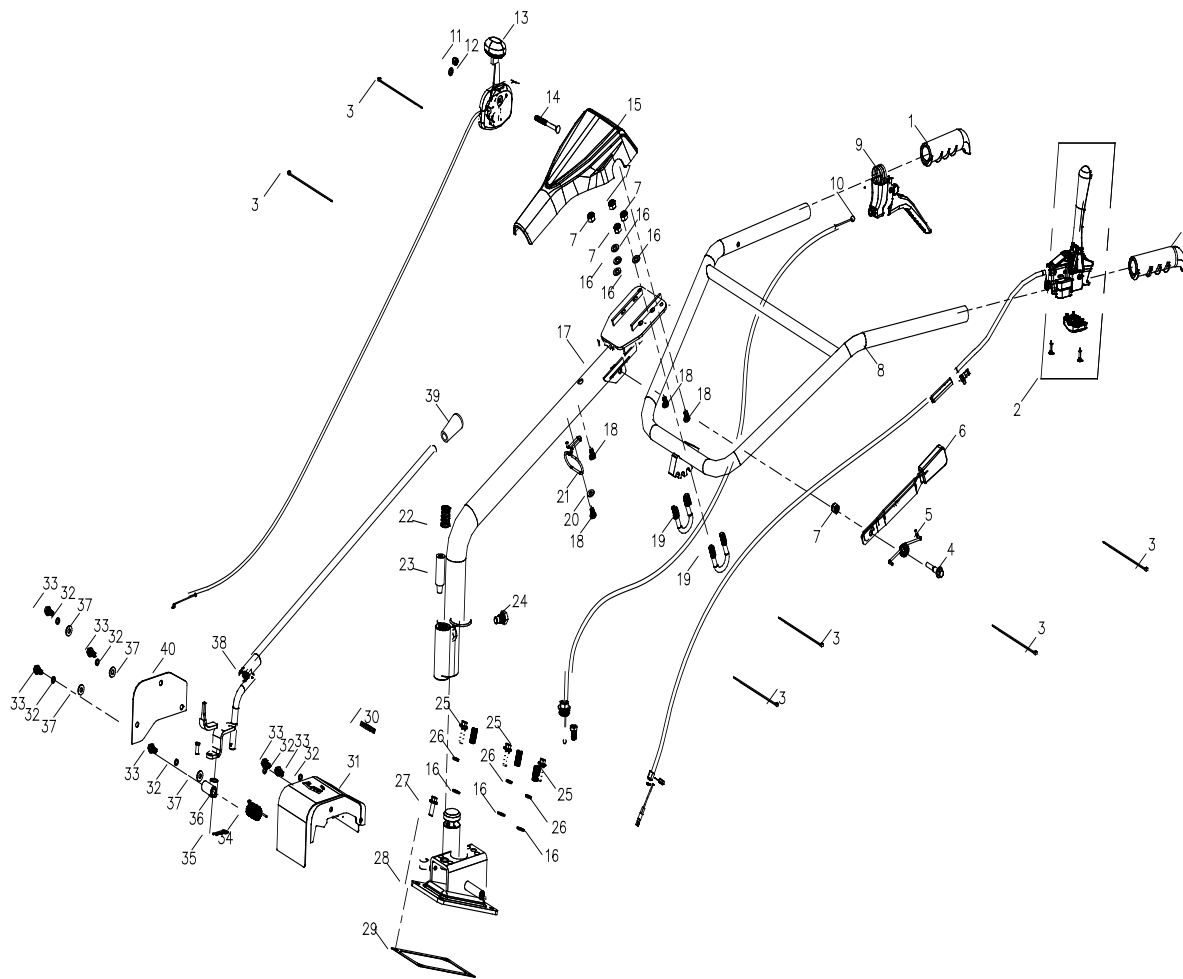


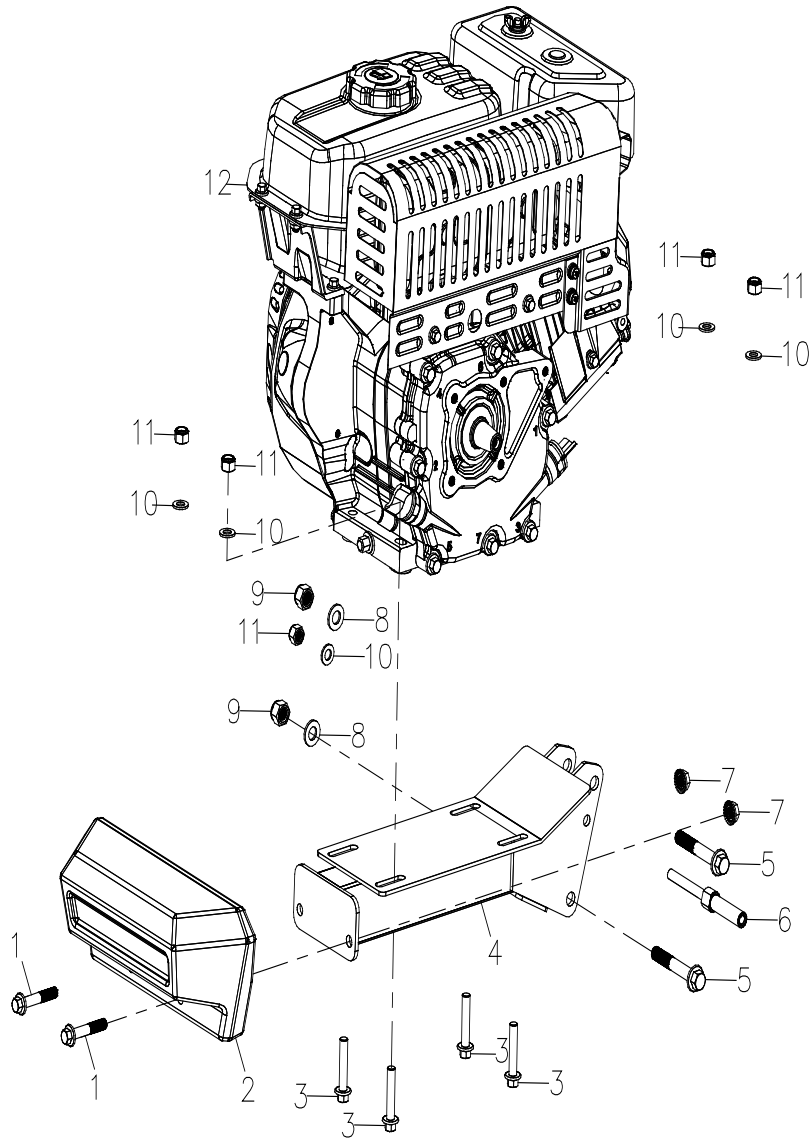
| Lp | Kod | Nazwa | Ilość |
|----|----------------|---------------------------------------|-------|
| 1 | 195640011-0001 | Output shaft Dust cover | 4 |
| 2 | 380651023-0001 | Oil seal | 2 |
| 3 | 380630306-0001 | Bearing | 4 |
| 4 | 193050056-0001 | Output shaft | 1 |
| 5 | 260010200-0001 | Chain | 1 |
| 6 | 290420309-0001 | Sprocket wheel | 1 |
| 7 | 380550158-0001 | Circlip | 3 |
| 8 | 191910035-0001 | Reduction gearbox body | 1 |
| 9 | 380651020-0001 | Oil seal | 6 |
| 10 | 110500109-0001 | RUBBER PLUG | 3 |
| 11 | 380630099-0001 | Bearing | 3 |
| 12 | 195240027-0001 | driven gear of duplicate gears | 1 |
| 13 | 380630980-0001 | Bearing | 1 |
| 14 | 380451661-0001 | Flat washer | 2 |
| 15 | 380824781-0001 | Bushing | 1 |
| 16 | 195950006-0001 | Reduction gearbox drive sprocket axle | 1 |
| 17 | 290420259-0001 | Sprocket wheel | 1 |
| 18 | 380824782-0001 | Bushing | 1 |
| 19 | 192030004-0001 | driven gear | 1 |
| 20 | 380630002-0001 | Bearing | 3 |

| | | | |
|----|----------------|---------------------------------|---|
| 21 | 380550224-0002 | Circlip | 3 |
| 22 | 110500110-0001 | RUBBER PLUG | 3 |
| 23 | 110500106-0001 | RUBBER PLUG | 1 |
| 24 | 380550310-0001 | Circlip | 1 |
| 25 | 380630037-0001 | Bearing | 1 |
| 26 | 194510016-0001 | GEAR,TRANSMISION COUNTERSHAFT | 1 |
| 27 | 380630979-0001 | Bearing | 2 |
| 28 | 194700011-0001 | counter carrier gear | 1 |
| 29 | 191440069-0001 | GEAR,COUNTERSHAFT SECOND | 1 |
| 30 | 380824779-0001 | Bushing | 1 |
| 31 | 191420077-0001 | countershaft first gear | 1 |
| 32 | 193040018-0001 | Counter shaft | 1 |
| 33 | 380631035-0001 | Bearing | 1 |
| 34 | 380631036-0001 | Bearing | 1 |
| 35 | 191450002-0001 | GEAR ASSY.,COUNTERSHAFT THIRD | 1 |
| 36 | 110500108-0001 | RUBBER PLUG | 3 |
| 37 | 380550311-0001 | Circlip | 1 |
| 38 | 140910039-0001 | Chain tension plate | 1 |
| 39 | 380610637-0001 | Pin | 1 |
| 40 | 380651022-0001 | Oil seal | 1 |
| 41 | 380550138-0001 | Circlip | 1 |
| 42 | 193020026-0001 | Drive shaft | 1 |
| 43 | 195230025-0001 | driving gear of duplicate gears | 1 |
| 44 | 380550312-0001 | Circlip | 1 |
| 45 | 380630098-0001 | Bearing | 1 |
| 46 | 380824783-0001 | Bushing | 1 |
| 47 | 193060025-0001 | GEAR,OUTPUT SHAFT | 1 |
| 48 | 195130007-0001 | OUTPUT SHAFT,FRONT DRIVE | 1 |
| 49 | 380824784-0001 | Bushing | 1 |
| 50 | 380824780-0001 | Bushing | 1 |
| 51 | 191770021-0001 | DRIVING WHEEL,REVERSE GEAR | 1 |
| 52 | 194480027-0001 | Reverse shaft | 1 |
| 53 | 192130086-0001 | SHIFTING FORK Axis | 1 |
| 54 | 192120212-0001 | SHIFTING FORK | 1 |
| 55 | 380460003-0003 | Elastic washer | 1 |
| 56 | 380070012-0006 | Hexagon bolt | 1 |
| 57 | 380651021-0001 | Oil seal | 1 |
| 58 | 110260106-0001 | Sealing plug screw | 1 |
| 59 | 380451238-0001 | Flat washer | 1 |
| 60 | 380640007-0001 | Steel ball | 1 |
| 61 | 381150824-0001 | Compression spring | 1 |
| 62 | 381610034-0002 | SCREW | 1 |
| 63 | 191890024-0001 | Gearbox | 1 |
| 64 | 110690158-0001 | Oil rule combination | 1 |

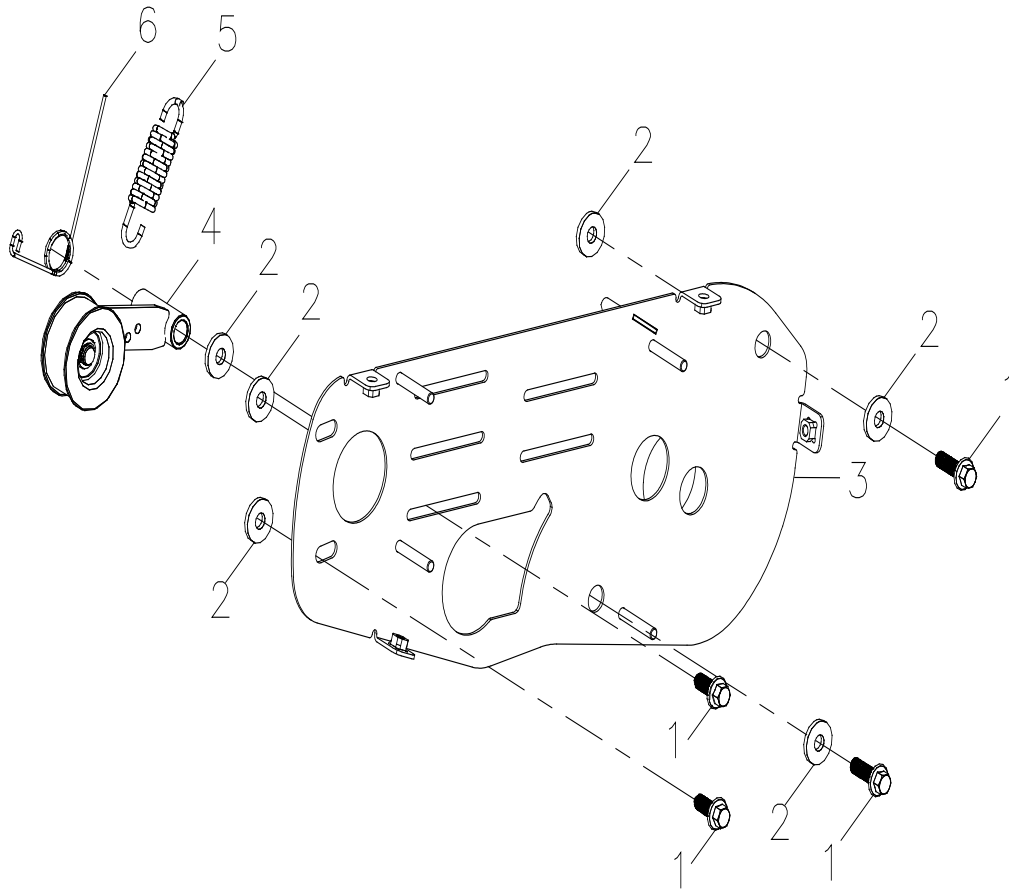


| Lp | Kod | Nazwa | Ilość |
|----|----------------|-------------------------------------|-------|
| 1 | 320180277-0001 | Lever Rubber | 2 |
| 2 | 271510218-0001 | Handle(Left) | 1 |
| 3 | 380900062-0001 | Strap | 6 |
| 4 | 380140005-0006 | Hexagon bolt with flange | 1 |
| 5 | 381160237-0001 | Torsion spring | 1 |
| 6 | 661750005-0001 | HANDLE | 1 |
| 7 | 380350006-0001 | Hexagon locknut for nonmetal insert | 5 |
| 8 | 320400080-0004 | Lever combination | 1 |
| 9 | 271510191-0001 | Handle(Left) | 1 |
| 10 | 662680007-0001 | TURNABLE CABLE | 1 |
| 11 | 380350003-0002 | Hexagon locknut for nonmetal insert | 1 |
| 12 | 380450004-0003 | Flat washer | 1 |
| 13 | 171210837-0001 | Throttle cable | 1 |
| 14 | 381030003-0001 | Step bolt | 1 |
| 15 | 341620018-0005 | Handlebar Cover | 1 |

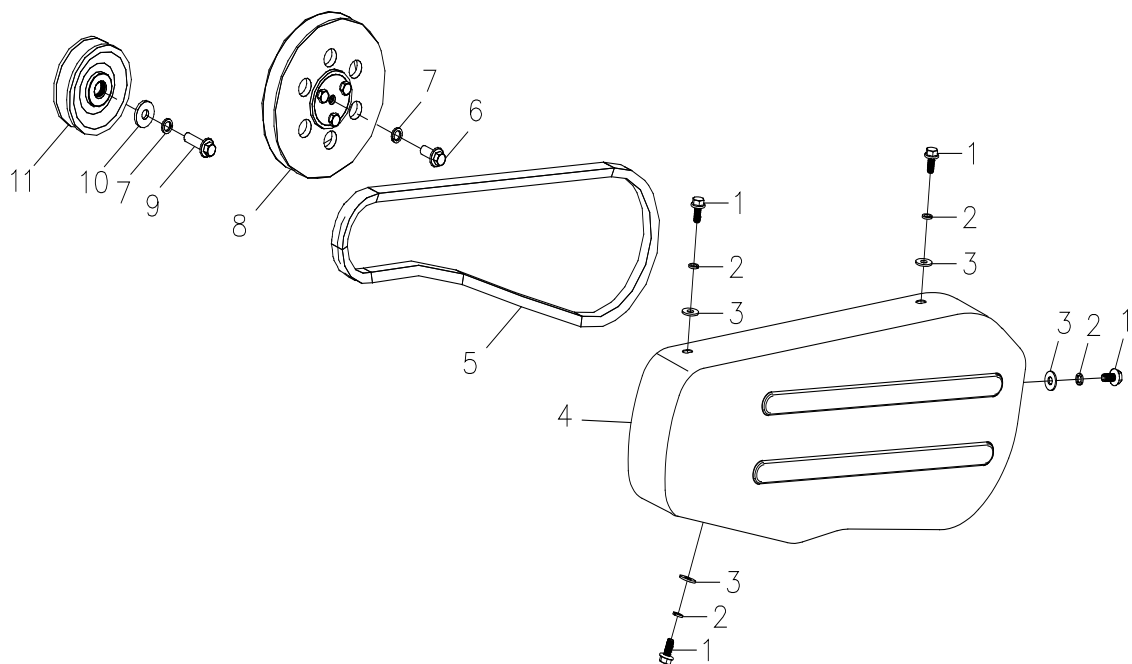
| | | | |
|----|----------------|---------------------------------------|---|
| 16 | 380450003-0006 | Flat washer | 7 |
| 17 | 320050161-0002 | Handlebar Connecting seat | 1 |
| 18 | 380310137-0001 | Cross recessed pan head tapping screw | 4 |
| 19 | 331510103-0001 | U hold hoop | 2 |
| 20 | 380450024-0006 | Flat washer | 1 |
| 21 | 380930045-0001 | Location wire nail | 1 |
| 22 | 381150629-0001 | Compression spring | 1 |
| 23 | 380610337-0001 | Pin | 1 |
| 24 | 296270003-0001 | positioning screw | 1 |
| 25 | 380140091-0005 | Hexagon bolt with flange | 3 |
| 26 | 380460001-0006 | Elastic washer | 3 |
| 27 | 380140004-0004 | Hexagon bolt with flange | 1 |
| 28 | 191920031-0002 | Reduction gearbox cover | 1 |
| 29 | 191940014-0001 | Reduction gearbox gasket | 1 |
| 30 | 381430046-0001 | Cushion | 1 |
| 31 | 195830013-0002 | Gear plate | 1 |
| 32 | 380460003-0003 | Elastic washer | 6 |
| 33 | 380140209-0001 | Hexagon bolt with flange | 6 |
| 34 | 381160420-0001 | Torsion spring | 1 |
| 35 | 381350010-0001 | Pin clip | 1 |
| 36 | 195820022-0001 | JOINT,GEAR LEVER | 1 |
| 37 | 380450729-0001 | Flat washer | 4 |
| 38 | 195940024-0002 | Gear Shift lever Combination | 1 |
| 39 | 195720003-0001 | handle coat, gear shift | 1 |
| 40 | 664370001-0002 | COVER,GEAR PLATE | 1 |



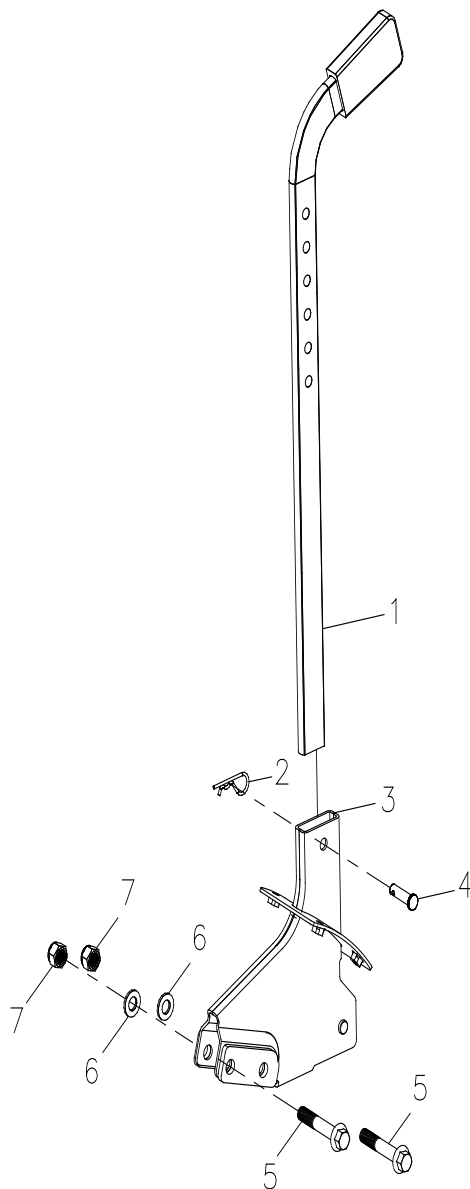
| Lp | Kod | Nazwa | Ilość |
|----|--------------------|-------------------------------------|-------|
| 1 | 380140006-0005 | Hexagon bolt with flange | 2 |
| 2 | 662270020-0001 | WEIGHT PIECE | 1 |
| 3 | 380140005-0006 | Hexagon bolt with flange | 4 |
| 4 | 300110395-0001 | Engine Bracket | 1 |
| 5 | 380140959-0001 | Hexagon bolt with flange | 2 |
| 6 | 141200007-0001 | Tensioner arm mandrel | 1 |
| 7 | 380370007-0004 | Hexagon nut with flange | 2 |
| 8 | 380450006-0005 | Flat washer | 2 |
| 9 | 380350025-0001 | Hexagon locknut for nonmetal insert | 2 |
| 10 | 380450003-0006 | Flat washer | 5 |
| 11 | 380350006-0001 | Hexagon locknut for nonmetal insert | 5 |
| 12 | T210005881-0000004 | LC165F ENGINE ASSY. | 1 |



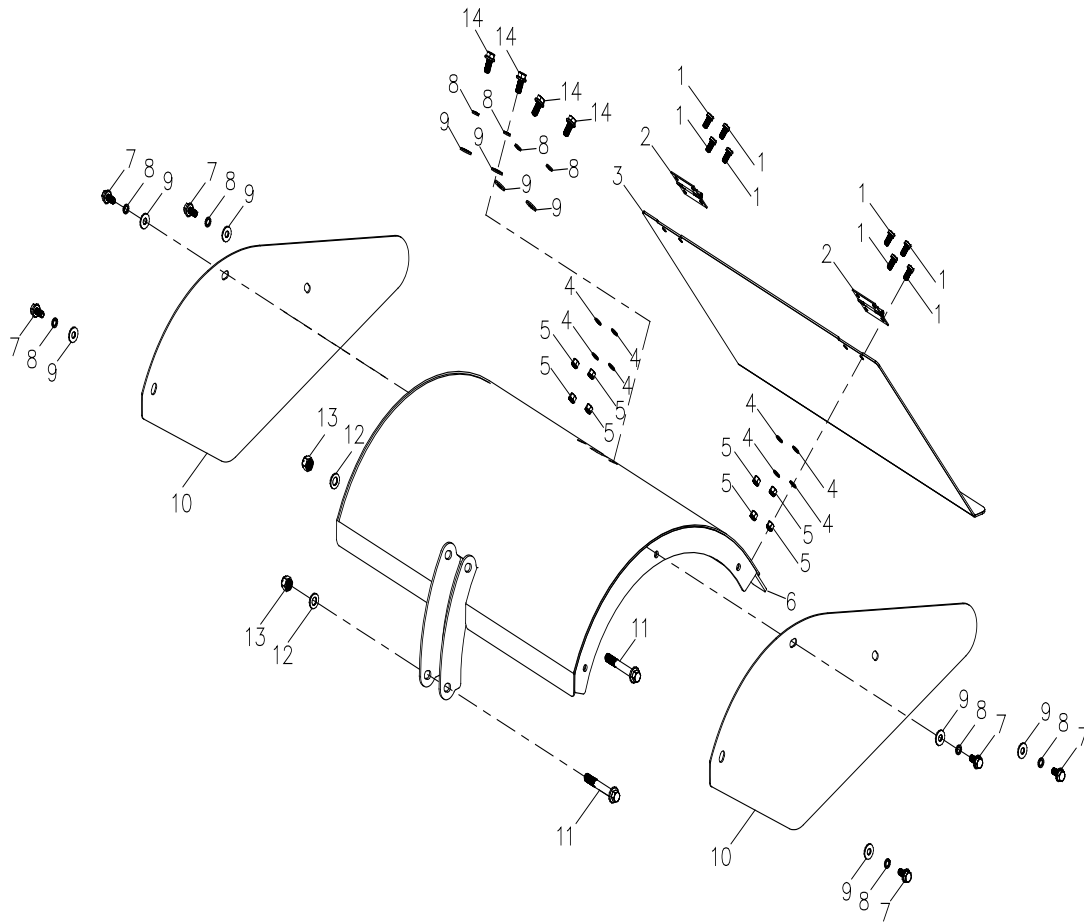
| Lp | Kod | Nazwa | Ilość |
|----|----------------|---------------------------------|-------|
| 1 | 380140004-0004 | Hexagon bolt with flange | 4 |
| 2 | 380450524-0001 | Flat washer | 6 |
| 3 | 661440011-0001 | Driven pulley plate combination | 1 |
| 4 | 661540024-0001 | Belt tensioning wheel | 1 |
| 5 | 381140438-0001 | Tension spring | 1 |
| 6 | 381160138-0001 | Torsion spring | 1 |



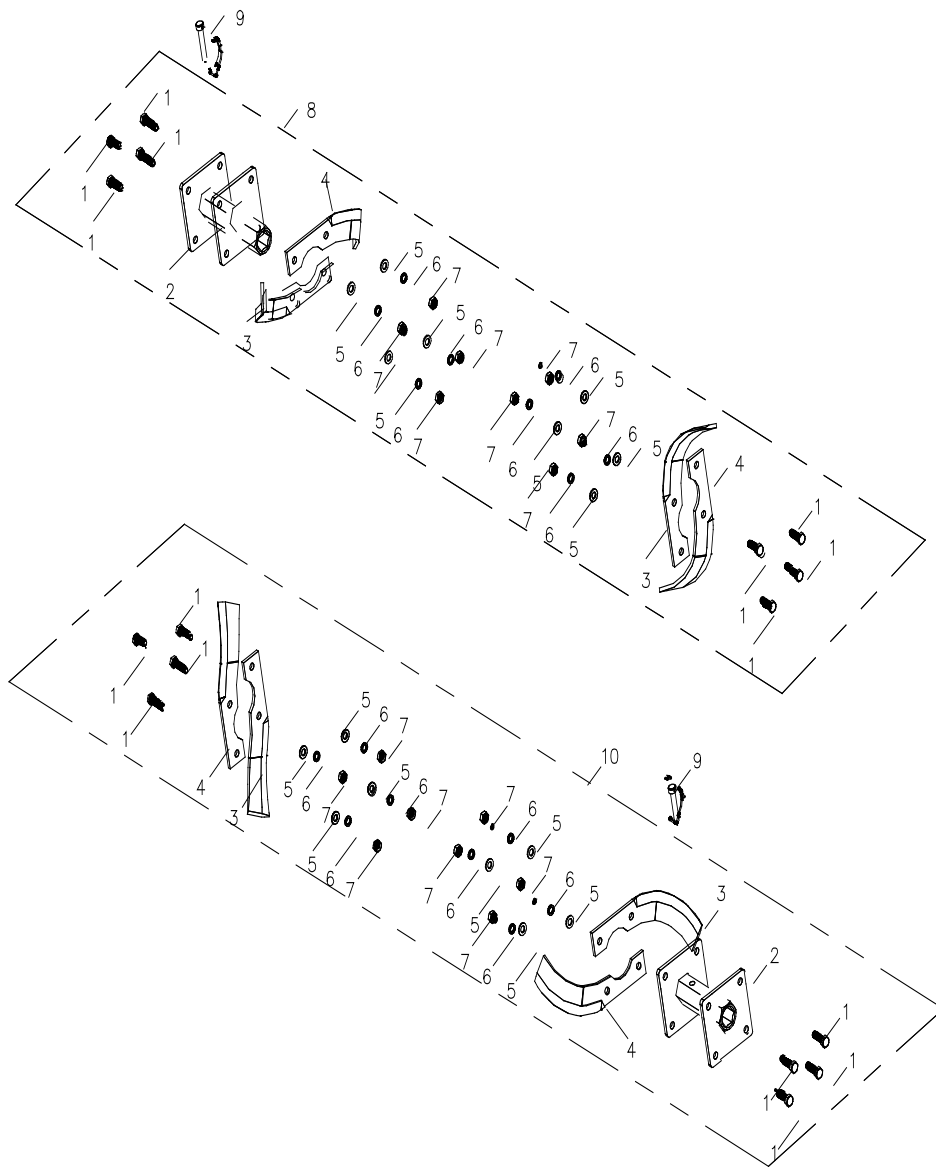
| Lp | Kod | Nazwa | Ilość |
|----|----------------|-----------------------------|-------|
| 1 | 380140209-0001 | Hexagon bolt with flange | 4 |
| 2 | 380460003-0003 | Elastic washer | 4 |
| 3 | 380450729-0001 | Flat washer | 4 |
| 4 | 260170052-0001 | Strap Cover | 1 |
| 5 | 193000018-0001 | belt | 1 |
| 6 | 380140004-0004 | Hexagon bolt with flange | 1 |
| 7 | 380460001-0006 | Elastic washer | 2 |
| 8 | 195920013-0001 | Follower Pulley combination | 1 |
| 9 | 380140093-0005 | Hexagon bolt with flange | 1 |
| 10 | 380451100-0001 | Flat washer | 1 |
| 11 | 195910010-0001 | driving pulley | 1 |



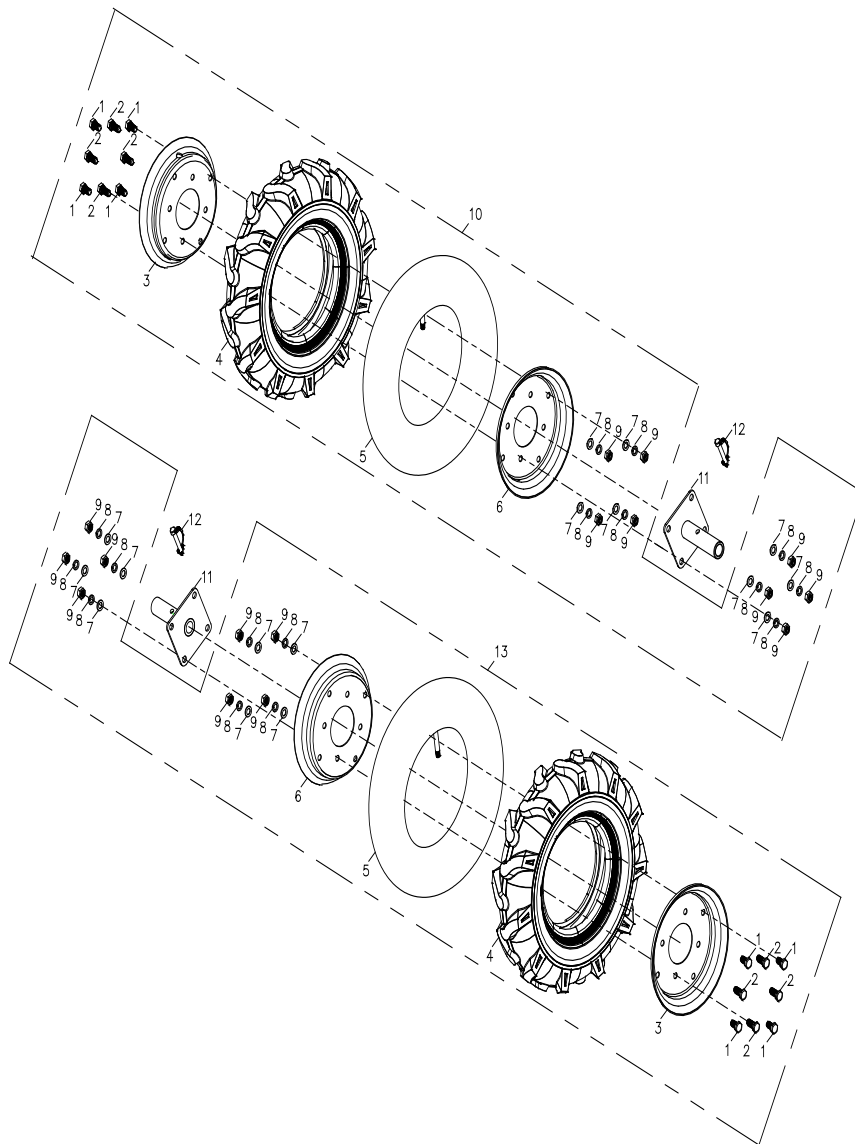
| Lp | Kod | Nazwa | Ilość |
|----|----------------|-------------------------------------|-------|
| 1 | 661400016-0001 | Damping arm | 1 |
| 2 | 381350031-0001 | Pin clip | 1 |
| 3 | 661390024-0002 | Damping arm Holder | 1 |
| 4 | 380610654-0001 | Pin | 1 |
| 5 | 380140977-0001 | Hexagon bolt with flange | 2 |
| 6 | 380450006-0005 | Flat washer | 2 |
| 7 | 380350025-0001 | Hexagon locknut for nonmetal insert | 2 |



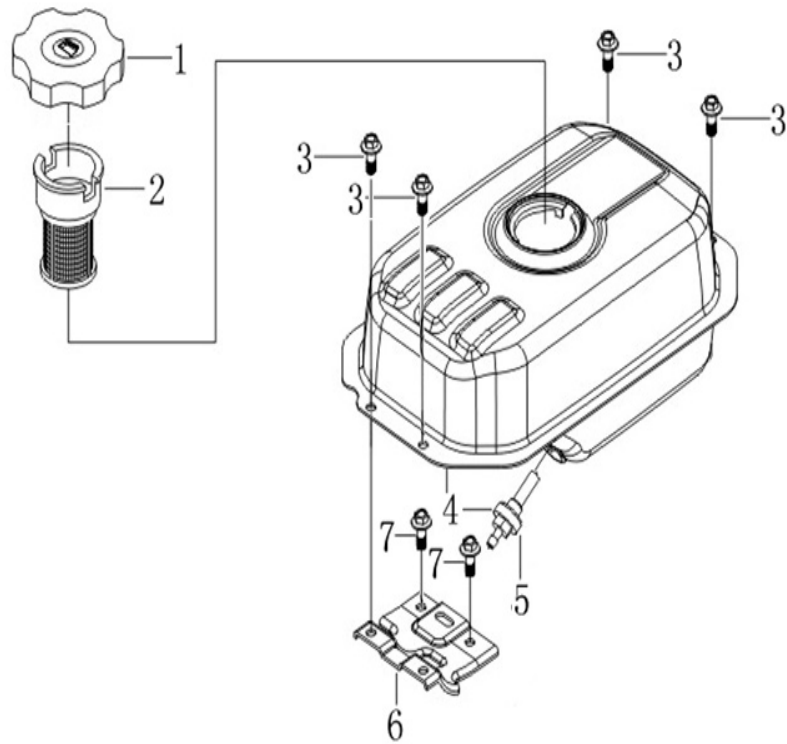
| Lp | Kod | Nazwa | Ilość |
|----|----------------|-------------------------------------|-------|
| 1 | 380200234-0001 | Cross recessed pan head screw | 8 |
| 2 | 337090095-0001 | HINGES | 2 |
| 3 | 340660436-0002 | FENDER COMP.,REAR | 1 |
| 4 | 380450028-0001 | Flat washer | 8 |
| 5 | 380350001-0003 | Hexagon locknut for nonmetal insert | 8 |
| 6 | 340310882-0002 | FENDER COMP.,FRONT | 1 |
| 7 | 380140209-0001 | Hexagon bolt with flange | 6 |
| 8 | 380460003-0003 | Elastic washer | 10 |
| 9 | 380450729-0001 | Flat washer | 10 |
| 10 | 661420037-0002 | Mudguard(left) | 2 |
| 11 | 380140149-0002 | Hexagon bolt with flange | 2 |
| 12 | 380450003-0006 | Flat washer | 2 |
| 13 | 380350006-0001 | Hexagon locknut for nonmetal insert | 2 |
| 14 | 380140333-0001 | Hexagon bolt with flange | 4 |



| Lp | Kod | Nazwa | Ilość |
|----|----------------|------------------------------|-------|
| 1 | 380070045-0005 | Hexagon bolt | 16 |
| 2 | 661720049-0001 | main tilth knife tube | 2 |
| 3 | 661510017-0001 | Plow blade(left) | 4 |
| 4 | 661520015-0001 | Plow blade(right) | 4 |
| 5 | 380450003-0006 | Flat washer | 16 |
| 6 | 380460001-0006 | Elastic washer | 16 |
| 7 | 380340005-0005 | Hexagon nut | 16 |
| 8 | 661500073-0001 | Plow knife components(right) | 1 |
| 9 | 661560001-0001 | Bayonet lock combination | 2 |
| 10 | 661490078-0001 | Plow knife components(left) | 1 |



| Lp | Kod | Nazwa | Ilość |
|----|----------------|------------------------------------|-------|
| 1 | 380070070-0001 | Hexagon bolt | 8 |
| 2 | 380070123-0004 | Hexagon bolt | 8 |
| 3 | 660710012-0001 | Hub | 2 |
| 4 | 290160406-0001 | SHOE | 2 |
| 5 | 290180266-0001 | INNER TUBE | 2 |
| 6 | 660710013-0001 | Hub | 2 |
| 7 | 380450006-0005 | Flat washer | 16 |
| 8 | 380460002-0006 | Elastic washer | 16 |
| 9 | 380340010-0004 | Hexagon nut | 16 |
| 10 | 660690021-0001 | Components of supporting wheel | 1 |
| 11 | 660730103-0001 | Machine set supporting wheel shaft | 2 |
| 12 | 661560001-0001 | Bayonet lock combination | 2 |
| 13 | 660690019-0001 | Components of supporting wheel | 1 |



| Lp | Kod | Nazwa | Ilość |
|----|----------------|---|-------|
| 1 | 170870161-0001 | Tank cover | 1 |
| 2 | 170720003-0001 | Pouring orifice filter screen combination | 1 |
| 3 | 380140001-0006 | Hexagon bolt with flange | 4 |
| 4 | 170500641-0034 | Tank | 1 |
| 5 | 170660077-0001 | Tank oilout | 1 |
| 6 | 172840003-0001 | Tank supporting bracket | 1 |
| 7 | 380140102-0004 | Hexagon bolt with flange | 2 |