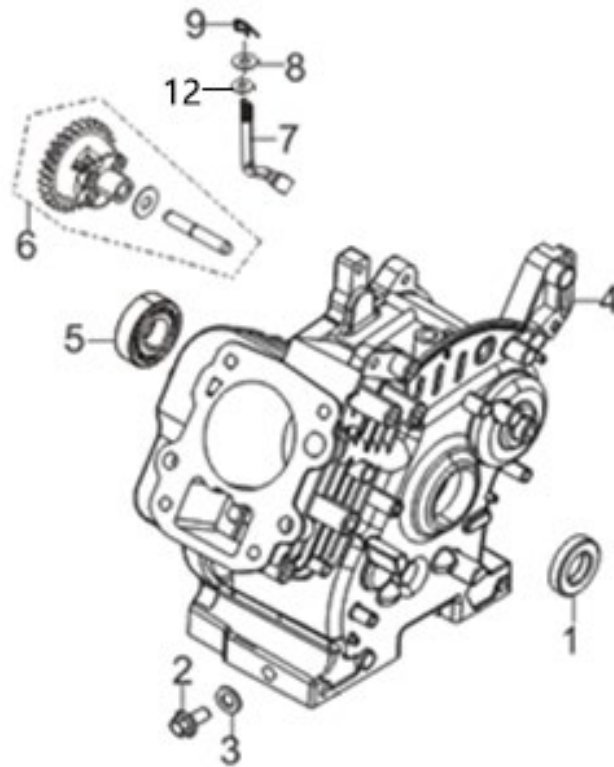
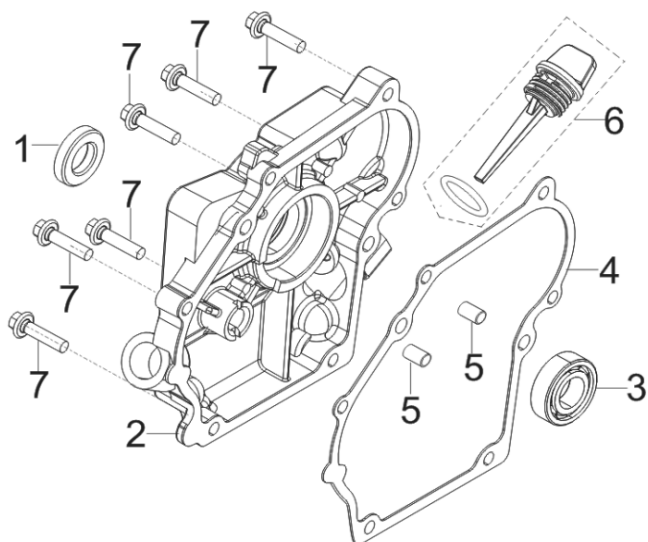


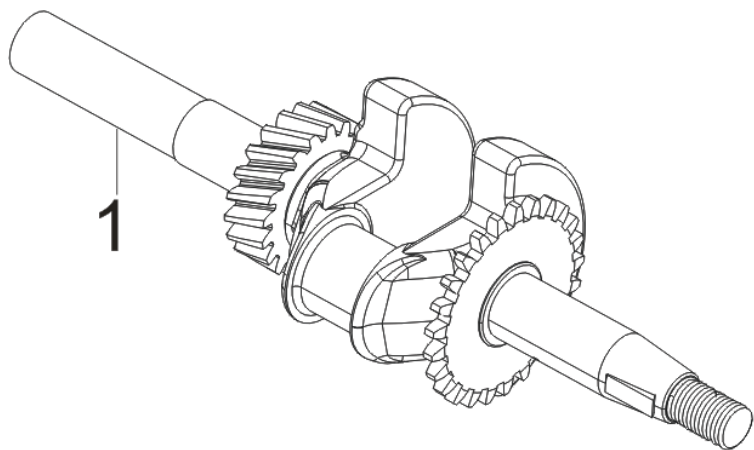
Lp	Kod	Nazwa	Ilość
E01-1	12140-Z0M0110-0BA0	Head Subassembly, Cylinder	1
E01-2	12131-Z510110-00A0	Gasket, Cylinder Head	1
E01-3	12410-Z0M0110-00A0	Cover Subassembly, Cylinder Head	1
E01-4	12004-Z0M0111-00A0	Cylinder Head Cover Gasket	1
E01-5	17004-Z010110-00A0	Tube, Breather	1
E01-6	90001-0612-01A0	Hexagon Socket Flange Face Bolt - Small Series	3
E01-7	90204-Z510310-0000	Stud Bolt	2
E01-8	90203-Z010110-0000	Stud Bolt	2
E01-9	90502-0814-00A0	Position Pin - Type A	2
E01-10	12003-Z510110-00A0	Cylinder Head Bolt	4
E01-11	30010-Z350210-00A0	Plug, Spark	1
E01-12	19304-Z510310-00A0	Shroud, Cylinder Body	1
E01-13	90001-0610-01A0	Hexagon Socket Flange Face Bolt - Small Series	1
E01-14	90001-0614-01A0	Hexagon Socket Flange Face Bolt - Small Series	1



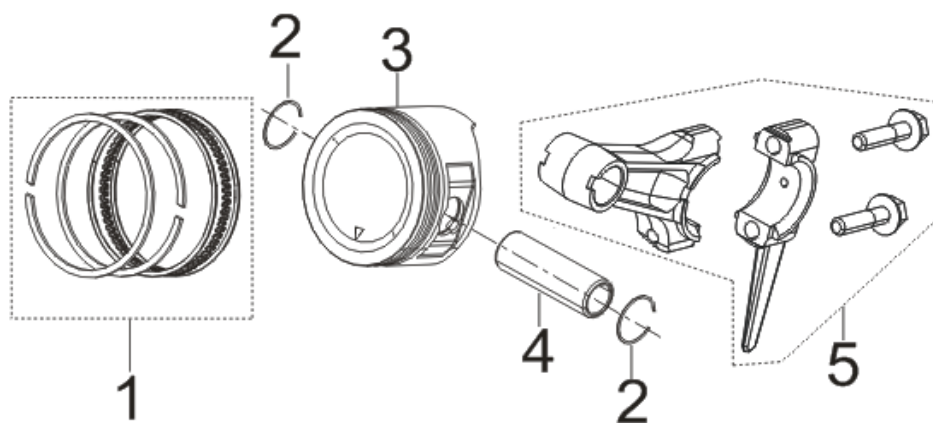
Lp	Kod	Nazwa	Ilość
E02-1	90682-Z510110-00A0	Seal, Oil	1
E02-2	11007-Z010110-00A0	Bolt, Drain Plug	1
E02-3	90408-Z010110-00A0	Flat Washer - Grade A	1
E02-4	11310-Z510913-0BA0	Crankcase Subassembly.	1
E02-5	90548-0203-CLA0	Deep Groove Ball Bearing	1
E02-6	16400-Z210110-00A0	Gear Assy, Governor	1
E02-7	16061-Z510210-00A0	Arm, Governor	1
E02-8	90408-Z010210-00A0	Flat Washer	1
E02-9	90501-Z010110-00A0	Cotter Pin	1
E02-12	90682-Z030210-00A0	Seal, Oil	1



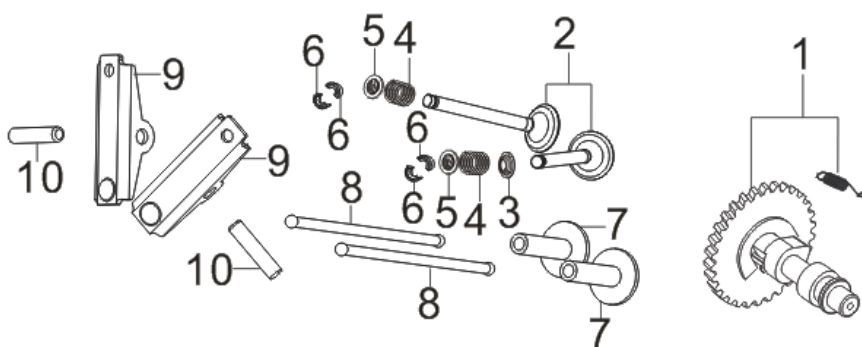
Lp	Kod	Nazwa	Ilość
E03-1	90682-Z510110-00A0	Seal, Oil	1
E03-2	11411-Z510111-0BA0	Cover, Crankcase	1
E03-3	90548-0303-CLA0	Deep Groove Ball Bearing	1
E03-4	11001-Z510310-0000	Gasket, Crankcase	1
E03-5	90502-0812-00A0	Position Pin - Type A	2
E03-6	15010-Z510140-Q2A0	Dipstick Subassembly, Oil	1
E03-7	90001-0625-01A0	Hexagon Socket Flange Face Bolt - Small Series	6



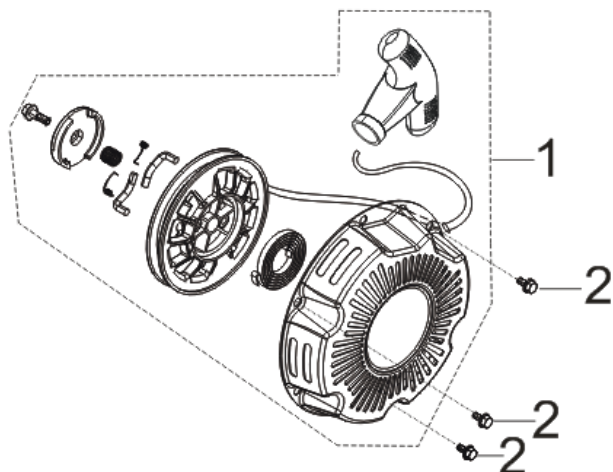
Lp	Kod	Nazwa	Ilość
E04-1	13300-Z512310-00A0	Crankshaft Assy.	1



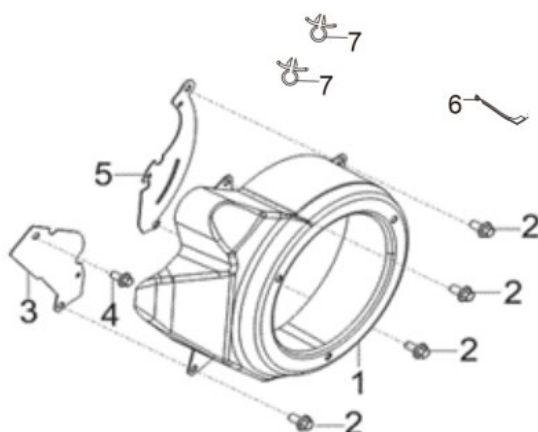
Lp	Kod	Nazwa	Ilość
E05-1	13200-Z510210-00A0	Ring Assy, Piston	1
E05-2	13122-Z510210-00A0	Clip, Piston Pin	2
E05-3	13111-Z510210-00A0	Piston	1
E05-4	13121-Z510210-00A0	Pin, Piston	1
E05-5	13010-Z510210-00A0	Rod, Connecting	1



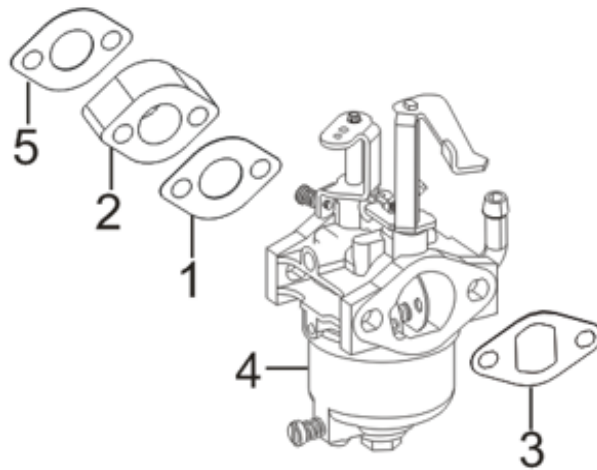
Lp	Kod	Nazwa	Ilość
E06-1	14200-Z0M0110-00A0	Camshaft Assy.	1
E06-2	12110-Z0M0110-00A0	Valves Set	1
E06-3	12101-Z810210-00A0	Guide, Seal	1
E06-4	12103-Z510110-00A0	Spring, Valve	2
E06-5	12112-Z810210-00A0	Seat, Valve Spring	2
E06-6	12109-Z810110-00A0	Clamp, Valve Lock	4
E06-7	14081-Z010110-00A0	Tappet, Valve	2
E06-8	14071-Z250210-00A0	Lifter, Valve	2
E06-9	14310-Z0M0110-00A0	Rocker Subassembly, Valve	2
E06-10	14318-Z950110-00A0	Shaft Subassembly, Rocker	2



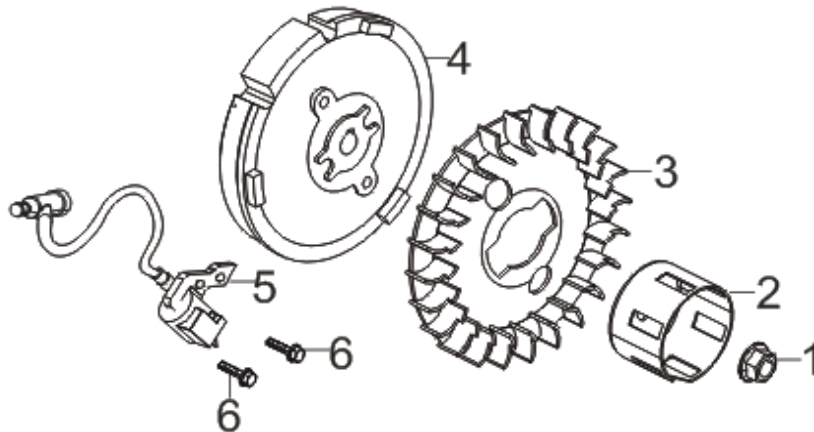
Lp	Kod	Nazwa	Ilość
E07-1	28200-Z510210-H600	Starter Assy, Recoil	1
E07-2	90001-0608-01	Hexagon Socket Flange Face Bolt - Small Series	3



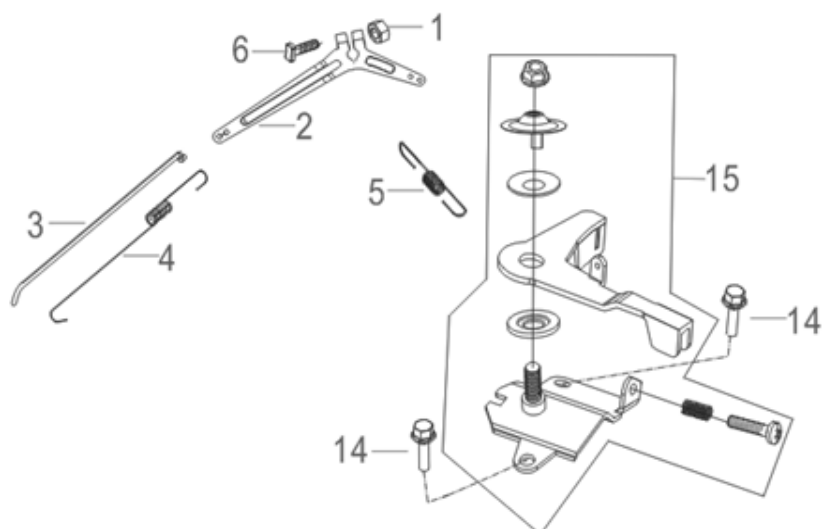
Lp	Kod	Nazwa	Ilość
E08-1	28110-Z510110-H600	Shroud	1
E08-2	90001-0612-01A0	Hexagon Socket Flange Face Bolt - Small Series	4
E08-3	19306-Z510110-0000	Deflector, Crankcase Air	1
E08-4	90001-0610-01A0	Hexagon Socket Flange Face Bolt - Small Series	1
E08-5	30028-Z510110-00A0	Shield, Shroud	1
E08-6	35555-Z010410-00A0	Wire, Stop Engine Switch Grounding	1
E08-7	90684-Z250110-00A0	cable clamp	2



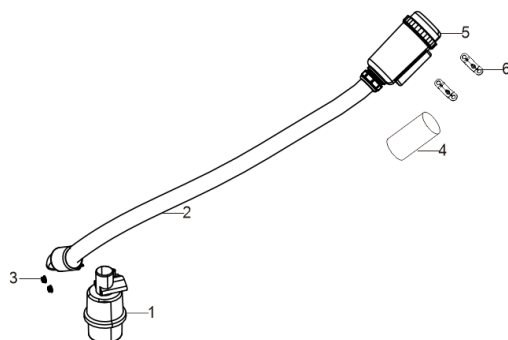
Lp	Kod	Nazwa	Ilość
E09-1	16001-Z510110-00A0	Carburetor Seal Gasket	1
E09-2	16003-Z510210-00A0	Plate, Carburetor Insulator	1
E09-3	17001-Z510110-00A0	Air Cleaner Seal Gasket	1
E09-4	16100-Z511611-00A0	Carburetor Assy.	1
E09-5	17002-Z510110-00A0	Gasket, Inlet	1



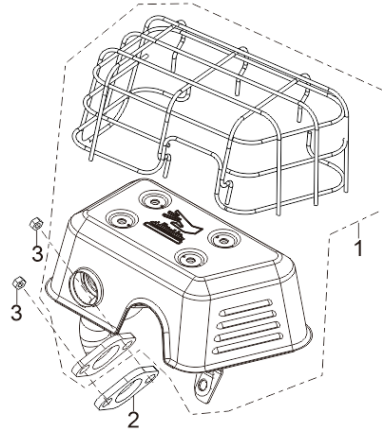
Lp	Kod	Nazwa	Ilość
E10-1	13501-Z510110-00A0	Nut, Flywheel	1
E10-2	28002-Z510210-01A0	Pulley, Starter	1
E10-3	19352-Z510110-00A1	Impeller	1
E10-4	13510-Z510110-00A0	Flywheel Subassembly	1
E10-5	30400-Z0M0211-0001	Coil, Ignition	1
E10-6	90001-0620-01A0	Hexagon Socket Flange Face Bolt - Small Series	2



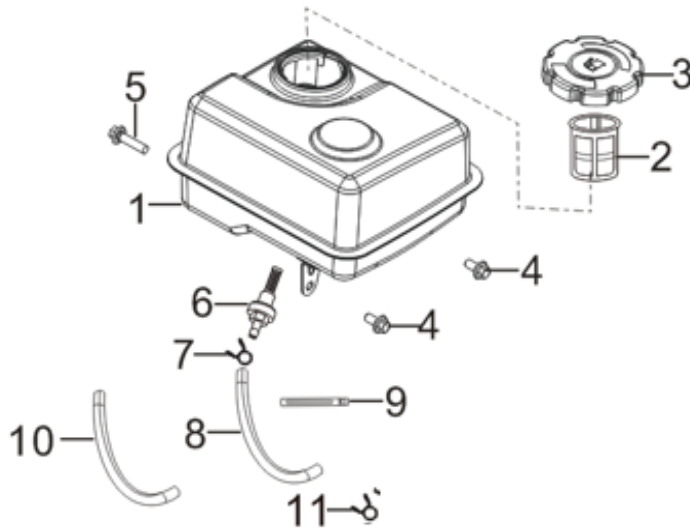
Lp	Kod	Nazwa	Ilość
E11-1	90305-0600-31A0	Hexagon Nut With Flange	1
E11-2	16070-Z510210-00A0	Governor Bracket Subassembly	1
E11-3	16062-Z510210-00A0	Rod, Gouverneur	1
E11-4	16012-Z510110-00A0	Spring, Throttle Valve Returning	1
E11-5	16063-Z210111-00A0	Spring, Governor	1
E11-6	16072-Z010110-00A0	Bolt, Governor Support	1
E11-14	90001-0608-01A0	Hexagon Socket Flange Face Bolt - Small Series	2
E11-15	16520-Z510610-00A0	Control Assy, Throttle	1



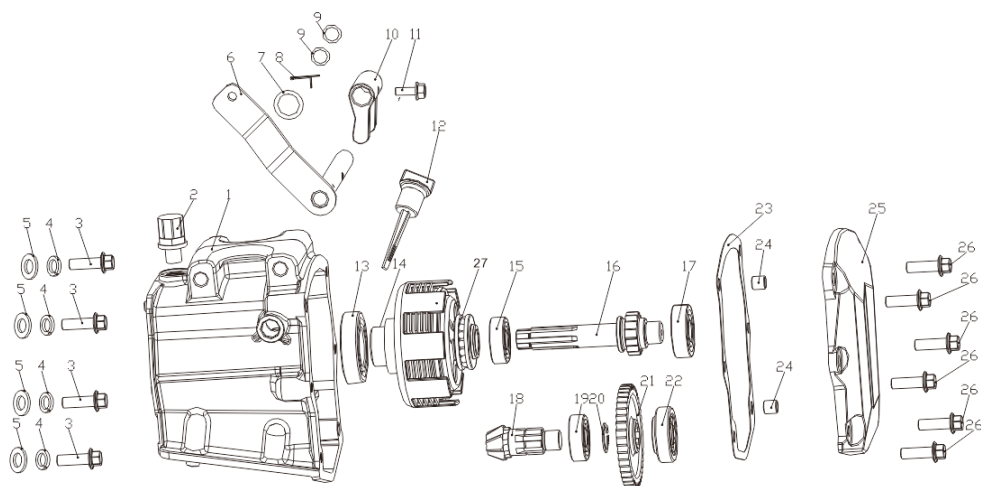
Lp	Kod	Nazwa	Ilość
F01-1	17100-Z511310-0000	Air Cleaner	1
F01-2	90697-Z510210-00A0	Bellows	1
F01-3	90305-0600-31A0	Hexagon Nut With Flange	2
F01-4	54101-UOC0110-Q200	Sleeve, Handle Rubber	1
F01-5	17400-Z510110-0000	Secondary Air Filter	1
F01-6	90740-Z510110-0000	Collar	2



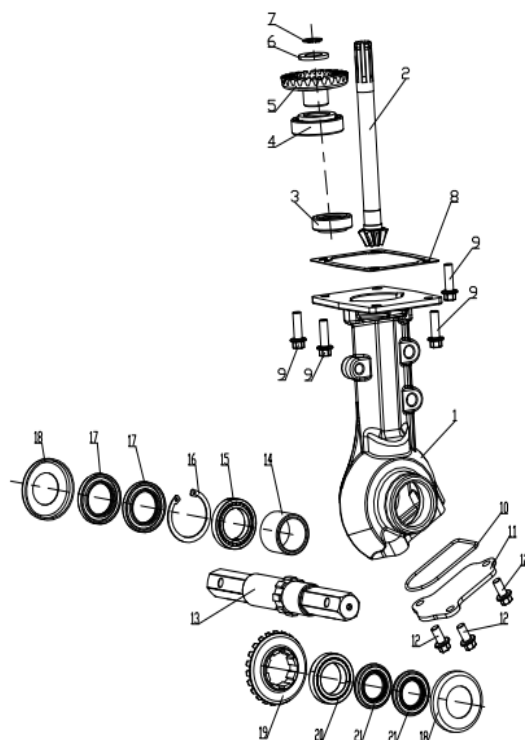
Lp	Kod	Nazwa	Ilość
F02-1	18100-Z0M0411-00A0	Muffler Assy.	1
F02-2	18001-Z510110-00A0	Gasket, Exhaust Outlet	1
F02-3	90303-0800-31A0	Type 1 Hexagon Nut	2



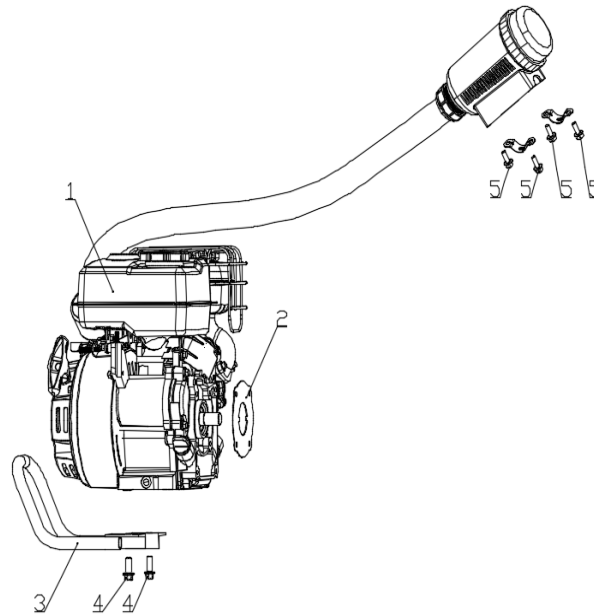
Lp	Kod	Nazwa	Ilość
F03-1	16620-Z510311-H6AP	Fuel Tank	1
F03-2	16652-Z010610-00A0	Strainer, Fuel	1
F03-3	16730-Z011010-H7A0	Cover, Fuel Tank	1
F03-4	90001-0612-01A0	Hexagon Socket Flange Face Bolt - Small Series	2
F03-5	90001-0612-01A0	Hexagon Socket Flange Face Bolt - Small Series	1
F03-6	16680-Z010110-00A0	Outlet Subassembly, Fuel Tank Oil	1
F03-7	90740-Z010510-00A0	Collar	1
F03-8	90686-Z512010-00A0	Tube, Fuel	1
F03-9	90684-Z030120-00A0	Wire Clip	1
F03-10	30431-Z010110-0000	Jacket, Rubber	1
F03-11	90740-Z010510-00A0	Collar	1



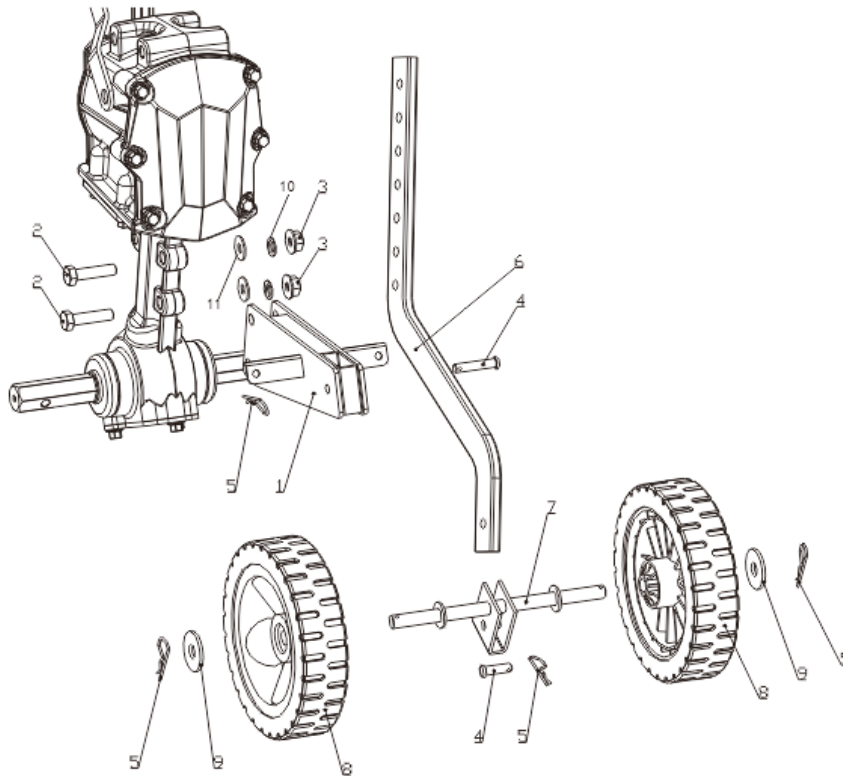
Lp	Kod	Nazwa	Ilość
F04-1	76351-U0C0110-00A0	Box Body, Transmission	1
F04-2	24308-U0C0110-00A0	Pressure Relief Bolt	1
F04-3	90001-0835-0108	Hexagon Socket Flange Face Bolt - Small Series	4
F04-4	90403-0800-0108	Standard Spring Washer	4
F04-5	90408-0800-E108	Flat Washer - Grade A	4
F04-6	24420-U0C0110-01A0	Fork Subassembly, Shifts	1
F04-7	90408-1400-E1	Flat Washer - Grade A	1
F04-8	90501-0225-0101	Cotter Pin	1
F04-9	90692-U0E0510-0000	O-Type Rubber Seal Ring	2
F04-10	24421-U0C0110-00A0	Fork, Shifts	1
F04-11	90007-0616-A108	Hexagon Socket Flange Face Bolt - Big Series - Grade B	1
F04-12	15030-Z010130-Q2A0	Plug Subassembly, Engine Oil	1
F04-13	90548-6006-10A1	Deep Groove Ball Bearing	1
F04-14	22110-U0C0110-00A0	Housing Subassembly, Clutch	1
F04-15	90548-6202-10A1	Deep Groove Ball Bearing	1
F04-16	23501-U0C0110-00A0	Axle, Main	1
F04-17	90548-0203-CLA0	Deep Groove Ball Bearing	1
F04-18	23601-U0C0110-00A0	Countershaft	1
F04-19	90548-6004-10A1	Deep Groove Ball Bearing	1
F04-20	90573-2000-Z6A1	Circlip For Shaft - Type A	1
F04-21	23611-U0C0110-00A0	Gear 1St, Countershaft	1
F04-22	90552-0302-10A1	Tapered Roller Bearings	1
F04-23	11062-U0C0110-00A0	Gasket, Transmission Box Cover	1
F04-24	90502-1014-00A0	Position Pin - Type A	2
F04-25	82035-U0C0110-00A0	Tail Cover	1
F04-26	90022-U0C0210-0100	Hexagon Socket Flange Face Bevel Bolt	6
F04-27	22071-U0C0110-00A0	Tray Subassembly, Clutch Friction	1



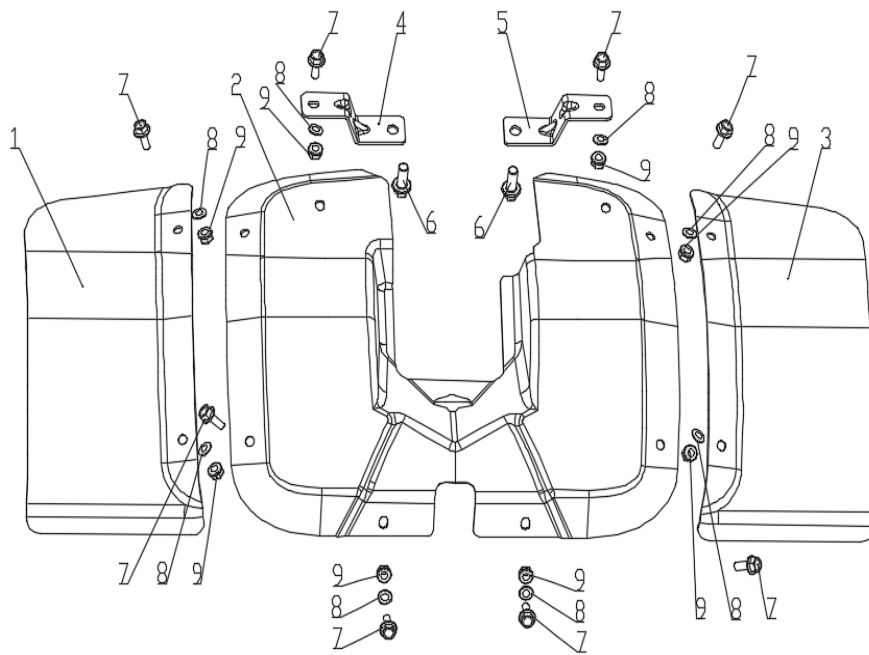
Lp	Kod	Nazwa	Ilość
F05-1	76351-U0C0210-WBA0	Box Body, Transmission	1
F05-2	76603-U0C0110-00A0	Transportation Bevel Gear Shaft	1
F05-3	90552-0203-CL	Tapered Roller Bearings	1
F05-4	90552-0205-10A1	Tapered Roller Bearings	1
F05-5	76604-U0C0110-00A0	Driven Bevel Gear	1
F05-6	16552-U0C0210-00A0	Gasket	2
	16552-U0C0310-00A0	Gasket	1
	16552-U0C0410-00A0	Gasket	2
F05-7	90573-1700-Z601	Circlip For Shaft - Type A	1
F05-8	76606-U0C0110-00A0	Mould Assembling Seal Gasket	1
F05-9	90022-U0C0110-0100	Hexagon Socket Flange Face Bevel Bolt	4
F05-10	90681-U0C0110-0000	Ring, Seal	1
F05-11	11061-U0C0110-01A0	Cover, Transmission Box	1
F05-12	90022-U0C0310-0100	Hexagon Socket Flange Face Bolt - Small Series	3
F05-13	76315-U0C0110-00A0	Output Shaft	1
F05-14	90683-U0C0110-00A0	Bush	1
F05-15	90548-6196-10A1	Deep Groove Ball Bearing	1
F05-16	90571-4700-06A1	Circlip For Hole - Type A	1
F05-17	90682-U740110-00A0	Seal, Oil	2
F05-18	76322-U0C0110-01A0	Output Shaft Dust-Proof Cover	2
F05-19	76605-U0C0110-00A0	Transportation Bevel Gear	1
F05-20	90552-3296-10A1	Tapered Roller Bearings	1
F05-21	90682-U0C0110-00A0	Seal, Oil	2



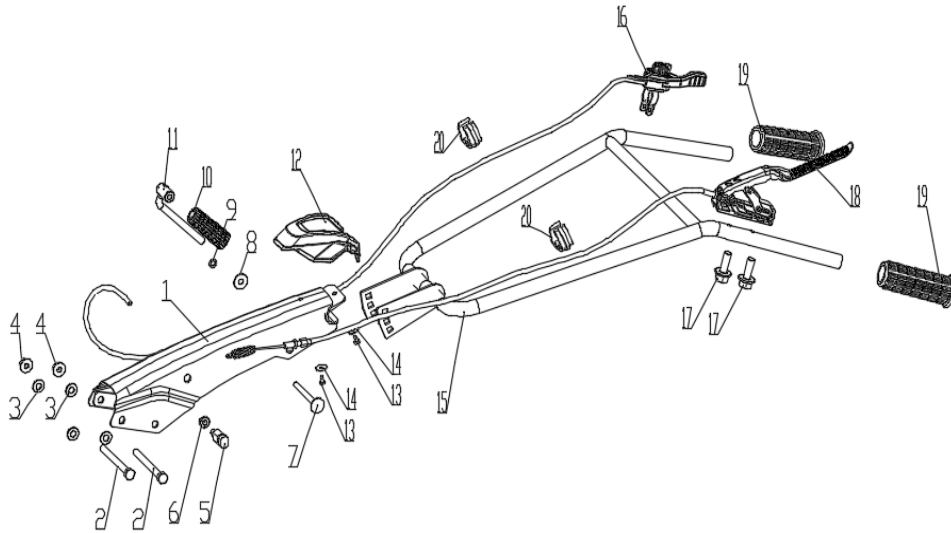
Lp	Kod	Nazwa	Ilość
F06-1	R0W0Z1H00Q-0000002	Engine Comp.	1
F06-2	24307-U0C0110-00A0	Engine Seal Gasket	1
F06-3	58410-U0C0110-JZ00	Guard	1
F06-4	90001-0820-01A0	Hexagon Socket Flange Face Bolt - Small Series	2
F06-5	90007-0616-A108	Hexagon Socket Flange Face Bolt - Small Series	4



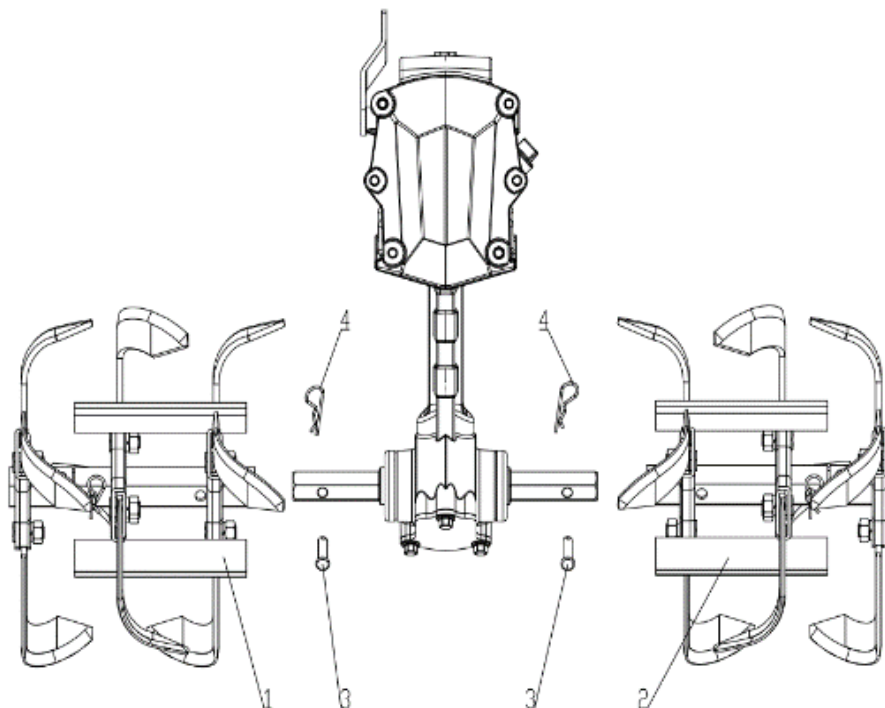
Lp	Kod	Nazwa	Ilość
F07-1	76025-U0C0110-JZ00	Trailing Body	1
F07-2	90005-1045-0108	Hexagonal Head Bolt - Full Thread	2
F07-3	90303-1000-3108	Type 1 Hexagon Nut	2
F07-4	90504-0835-01A0	Pin Shaft	2
F07-5	93124-U050110-0100	Socket	3
F07-6	76016-U0C0110-JZ00	Damping Arm	1
F07-7	76010-U770210-H7A0	Transportation Wheel Bearing Assembly	1
F07-8	76008-U590110-0001	Wheel, Transportion	2
F07-9	90406-1200-E101	Large Washer - Grade A	2
F07-10	90403-1000-0108	Standard Spring Washer	2
F07-11	90408-1000-E108	Flat Washer - Grade A	2



Lp	Kod	Nazwa	Ilość
F08-1	76007-U0C0210-JZ00	Fender	1
F08-2	76007-U0C0111-JZ00	Fender	1
F08-3	76007-U0C0310-JZ00	Fender	1
F08-4	80009-U0C0110-H7A0	Support, Front Fender	1
F08-5	80009-U0C0210-H7A0	Support, Front Fender	1
F08-6	90001-0820-01A0	Hexagon Socket Flange Face Bolt - Small Series	2
F08-7	90007-0616-01	Hexagon Socket Flange Face Bolt - Big Series - Grade B	8
F08-8	90406-0600-E108	Flat Washer - Grade A	8
F08-9	90343-0600-31A0	Type 1 Non-Metallic Insert Hexagon Lock Nut	8



Lp	Kod	Nazwa	Ilość
F09-1	54200-U0C0110-JZ00	Armrest Assembly	1
F09-2	90002-U0C0110-01A0	Hexagon Socket Flange Face Bolt - Fin Thread - Small Series	2
F09-3	90408-1000-E1A0	Flat Washer - Grade A	4
F09-4	90306-1000A01A2	Hexagon Nut With Flange - Fin Thread	2
F09-5	54037-U0C0110-01A0	Inhaul Cable Base	1
F09-6	90305-Z010110-0008	Hexagon Nut With Flange	1
F09-7	90028-U0C0110-01A0	Grade B Small Half Round Head Low Square Neck Bolts	1
F09-8	90406-0800-E108	Large Washer - Grade A	1
F09-9	90403-0800-Z108	Standard Spring Washer	1
F09-10	54101-U080210-0000	Sleeve, Handle Rubber	1
F09-11	54203-U0B0110-01A0	Lock Handle	1
F09-12	82007-U0C0110-JZ00	Cover, Decorated	1
F09-13	90107-4813-0108	Cross-Recessed Pan Head Self-Tapping Screw	2
F09-14	90406-0500-3108	Large Washer - Grade A	2
F09-15	54110-U0C0210-JZ00	Handle Tube Assy	1
F09-16	16550-U0C0210-00A0	Throttle Cock Assembly	1
F09-17	90001-0630-0108	Hexagon Socket Flange Face Bolt - Small Series	2
F09-18	24510-U0C0110-RTA0	Forward Clutch Handle Assembly	1
F09-19	54101-U050210-Q200	Sleeve, Handle Rubber	2
F09-20	90684-U070111-0000	Wire Clip	2



Lp	Kod	Nazwa	Ilość
F10-1	76700-U0C0110-H7A0	Device Subassembly, Revolve Tilling	1
F10-2	76700-U0C0210-H7A0	Device Subassembly, Revolve Tilling	1
F10-3	90504-0840-0108	Pin Shaft	2
F10-4	93124-U050110-0100	Socket	2