

# **Quick guide and Warranty certificate**

## **Mammotion 2026**

**LUBA 3  
LUBA mini 2 LUBA  
mini LiDAR YUKA  
mini 2**

# Safety instructions

## IMPORTANT

**BEFORE USING THE ROBOT, PLEASE READ THE ENTIRE MANUAL CAREFULLY AND KEEP IT FOR FUTURE REFERENCE**

**BEFORE USING THE ROBOT FOR THE FIRST TIME, MOW THE LAWN TO A MAXIMUM HEIGHT OF 10 CM.**

## 1.1 General safety instructions

1. Before using the robot, please read and understand all instructions carefully.
2. Only use genuine parts and accessories recommended by Mammotion with the robot.
3. The Mammotion mower is designed for domestic lawn care and is not intended for commercial use.
4. Never allow children, persons with reduced physical, sensory or mental capabilities, or lacking experience and knowledge, or persons who are not familiar with these instructions, to use the robot. The age of the operator may be restricted by local regulations.
5. DO NOT allow children to move around near the robot or play with it whilst it is in operation.
6. DO NOT use the robot in areas where people are unaware of its presence.
7. When manually controlling the robot using the Mammotion app, always walk – never run. Take care on slopes and maintain good posture and balance. When manually controlling the robot, you assume full responsibility for it.
8. Do not sit on or stand on the robot, the adapter, the cables or the charging base. Doing so may damage them and invalidate the warranty.
9. DO NOT touch moving parts such as the mowing disc, blades and wheels until all movement has completely stopped.
10. If you are using the robot in public areas, place warning signs around the working area with the following text: "Warning! Automatic lawn mower! Keep away from the robot! Supervise children!"
11. NEVER leave the robot running unattended if pets, children or people are nearby.
12. Wear sturdy footwear and long trousers when the robot is in operation.
13. To prevent damage to the robot and accidents involving vehicles or people, do not set up work areas or navigation routes across public roads or public thoroughfares.
14. DO NOT connect to or touch a damaged cable until it has been disconnected from the mains socket. If the cable becomes damaged during operation, disconnect the plug from the socket. A worn or damaged cable increases the risk of electric shock and should be replaced immediately. Contact an authorised service centre without delay.
15. Keep extension cables at a safe distance from moving parts of the robot, such as the cutting blades, to prevent damage to the cables and the robot.
16. DO NOT MODIFY the robot yourself. Modifications could impair its operation, lead to serious injury and/or damage, or result in the warranty being voided. Use only genuine parts and accessories approved by Mammotion.
17. If the robot makes an unusual noise or triggers an alarm, press the STOP button immediately.
18. Check regularly (once a week) that all parts of the robot are working normally.
19. Before carrying out maintenance, cleaning or inspecting the robot, switch it off and remove the key. If the robot vibrates abnormally, check for damage before restarting it. Do not use the robot if any of its parts are damaged or faulty.
20. Do not touch the cutting blades and discs whilst the robot is in operation. When handling the cutting blades and discs, always switch off the robot first, remove the key and always wear protective gloves.
21. The images used in this manual are for illustrative purposes only. Please refer to the actual robot.
22. If you have a swimming pool in your garden, ensure that the robot mows the grass at a sufficient distance from the edge of the pool (at least 50 cm). The product has an IPX6 water resistance rating when in operation, but it is not completely waterproof.
23. IPX6 water resistance applies when the robot is in operation.
24. The user is responsible for any accidents or hazards that may occur to other persons on their property.
25. The robot and accessories may only be repaired and modified by an authorised service centre or a qualified person who has been trained at an authorised service centre.
26. Operating and storage temperature: 0°C – 40°C. Operating temperature for charging: 6°C – 40°C.

## 1.2 Safety instructions for the charging base

1. DO NOT place the charging base in areas where people might trip over it.
2. DO NOT place the charging base in areas where there is a risk of standing water.
3. Only use the original charging base to charge the robot. Incorrect use may result in electric shock, overheating or leakage of corrosive liquid from the battery. If electrolyte enters the eyes, rinse them with water or a neutralising agent and seek medical attention if the corrosive liquid comes into contact with the eyes.
4. Keep the charging base and accessories at least 60 cm away from flammable materials. Malfunctions or overheating may pose a fire risk.
5. When connecting the power supply to a socket, always use a residual current device (RCD) with a trip current of not more than a maximum of 30 mA.

## 1.3 Safety instructions for mowing

1. Do not put your hands or feet near the cutting blades. Do not reach under the robot or touch it whilst it is switched on.
2. Do not lift or move the robot whilst it is switched on.
3. Before starting, remove stones, branches, tools, toys and other objects from the lawn to prevent damage to the blades.
4. DO NOT PLACE any objects on the robot or the charging base. DO NOT STAND OR SIT on the robot or its accessories.
5. DO NOT use the robot if the STOP button is not working.
6. Avoid collisions with people or animals. If someone or something gets in its way, stop the robot immediately.
7. Always switch off the robot when it is not in use.
8. DO NOT use the robot at the same time as pop-up sprinklers, and avoid placing the navigation paths where sprinklers are installed.
9. DO NOT use the robot in standing water or during heavy rain.

## 1.4 Battery safety instructions

Lithium-ion batteries may explode or catch fire if mishandled. Do not disassemble, short-circuit, expose to water, fire or high temperatures. Handle with care and avoid any mechanical or electrical damage. Store batteries away from direct sunlight.

1. Use only the original charging base and power adapter. Incompatible chargers may cause electric shock or overheating.
2. DO NOT attempt to repair or modify the batteries. Attempts to repair them may result in serious injury due to explosion or electric shock. In the event of a leak, the released electrolytes are corrosive and toxic.

## 1.5 Instructions

Detailed instructions for the Mammotion robotic lawnmower are available to download free of charge at [www.lubasekacky.cz](http://www.lubasekacky.cz)









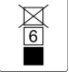





Video tutorials







InstructionsCZ/SK

## Symbols used

You will find these symbols on the product. Please study them carefully.

|  |   |
|--|---|
| <br>TS-A081-2703002   | Use the detachable power adapter TS-A012-1201002.   |
| <br>TS-A081-2703002<br>ADS-81EJ-27-5                                | Use the detachable power adapter TS-A081-2703002/ADS-81EJ-27-5.   |
|   | This product complies with applicable CE directives. BLAKAR trading s.r.o. declares that the specified product is in conformity with and complies with Directive 2014/53/EU. The full version of the declaration of conformity is available at <a href="http://www.blakar.cz/prohlaseni-o-conformity">www.blakar.cz/prohlaseni-o-conformity</a> |
| Made in China  | This product is manufactured in China.  |
|   | This product must not be disposed of as ordinary household waste. Please ensure that the product is disposed of in an environmentally responsible manner in accordance with local regulations. For more information, visit <a href="http://www.asekol.cz">www.asekol.cz</a>   |
|   | This product can be recycled.<br>For more information, visit <a href="http://www.ekokom.cz">www.ekokom.cz</a>   |
|   | The packaging of this product should not be exposed to moisture or water.   |
|   | The packaging of this product should not be covered.  |
|   | Do not tip over.  |
|   | This product is fragile.  |
|   | Do not stand, sit or climb on the packaging of this product, the product itself or its accessories.   |
|   | Class III appliance.  |
|  Do not touch rotating blade.<br>Ne touchez pas la lame rotative. | Warning – do not touch moving parts of the product or the cutting blades whilst they are moving.  |

|   |  |
|---|--|
|  | <p><b>WARNING: Read the entire manual carefully before using the product.</b></p>  |
|  | <p><b>WARNING: Risk of objects being thrown against the body. Maintain a safe distance from the product during operation.</b></p>  |
|  | <p><b>WARNING: Do not place your hands or feet under the product whilst it is switched on or in operation. Before handling or lifting the product, switch it off and remove the key.</b></p> |
|  | <p><b>WARNING: Never ride on the product. Never place your hands or feet near rotating blades or under a product that is switched on.</b></p>  |



BLAKAR trading s.r.o. declares that the specified LUBA product complies with and meets the requirements of Directive 2014/53/EU. The full version of the declaration of conformity is available at [www.blakar.cz/prohlaseni-o-shode/](http://www.blakar.cz/prohlaseni-o-shode/)



All electrical and electronic products must be disposed of separately from household waste via designated collection points. Environmentally sound disposal of this equipment is ensured through the Asekol collective system ([www.asekol.cz](http://www.asekol.cz)).

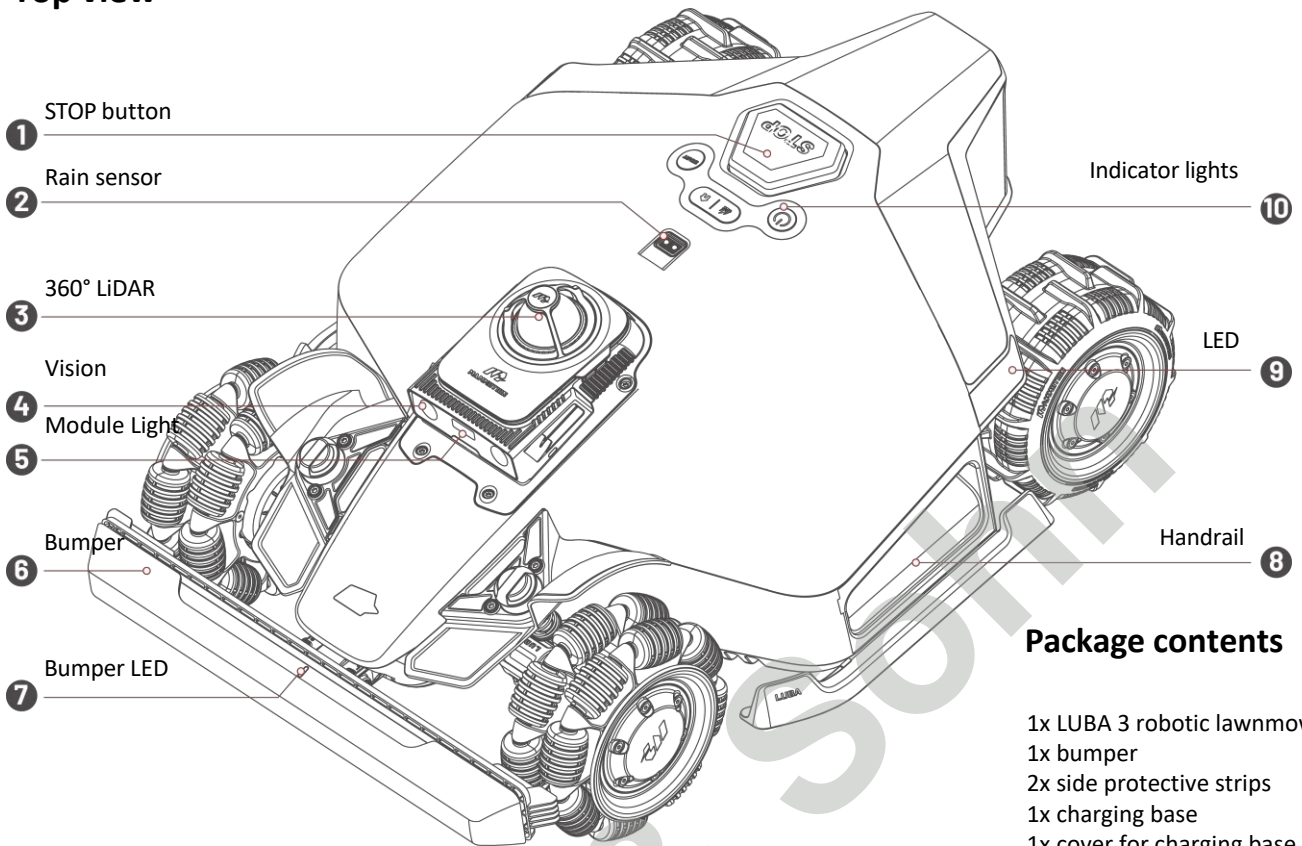
Used batteries or accumulators do not belong in unsorted waste; you can hand them in free of charge at many locations designated as 'take-back points' by Asekol ([www.asekol.cz](http://www.asekol.cz)).



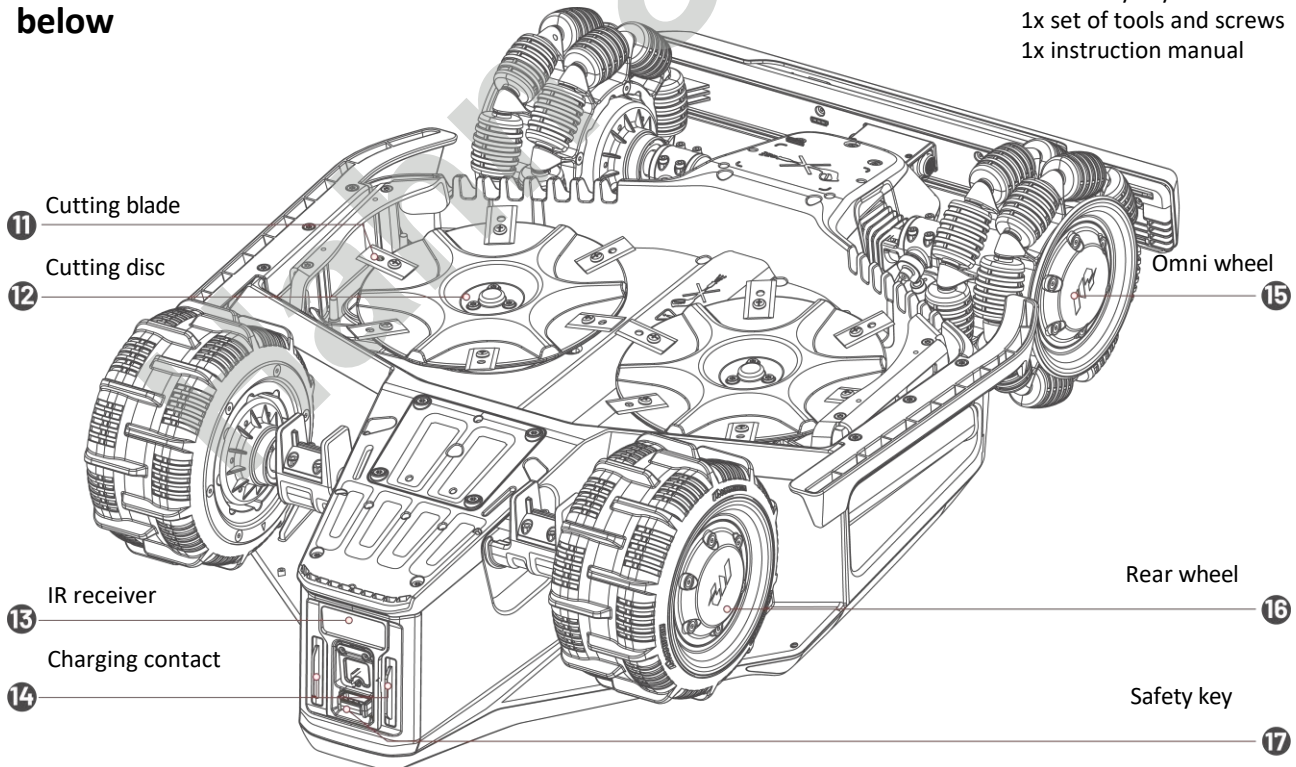
The GREEN DOT mark is a registered trademark. The GREEN DOT indicates that a financial contribution has been paid for this packaging to an organisation responsible for the collection and recycling of packaging waste in accordance with EC Directive 94/62 ([www.ekokom.cz](http://www.ekokom.cz)).

# LUBA 3 AWD

## Top view



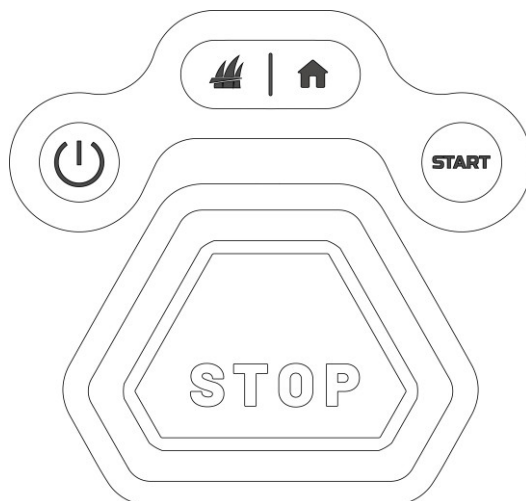
## View from below



## Package contents

- 1x LUBA 3 robotic lawnmower
- 1x bumper
- 2x side protective strips
- 1x charging base
- 1x cover for charging base
- 1x power adapter
- 2x security key
- 1x set of tools and screws
- 1x instruction manual

## Buttons



| Button | Description  |
|--------|--|
|        | Press and hold to switch the mower on/off.   |
|        | Press twice to lower the mowing discs to their lowest position for cleaning.   |
|        | Press twice to unlock the robot only after an emergency stop.  |
|        | In an emergency, press the STOP button.  |
|        | <ul style="list-style-type: none"> <li>● Press the button once to resume mowing.</li> <li>● Press and hold  for 5 seconds, then press  to activate DropMow. DropMow is used for one-off mowing of unmapped lawns or for trimming the lawn outside mapped areas.</li> </ul> |
|        | Press repeatedly to initiate the return to the charging base.  |

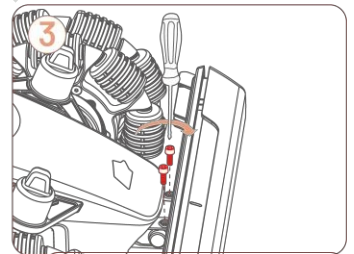
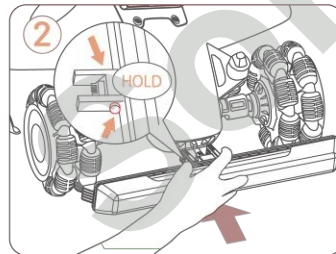
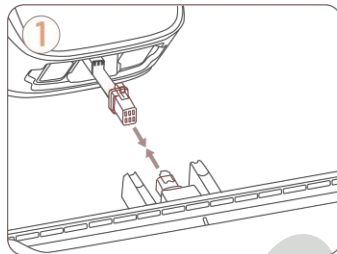
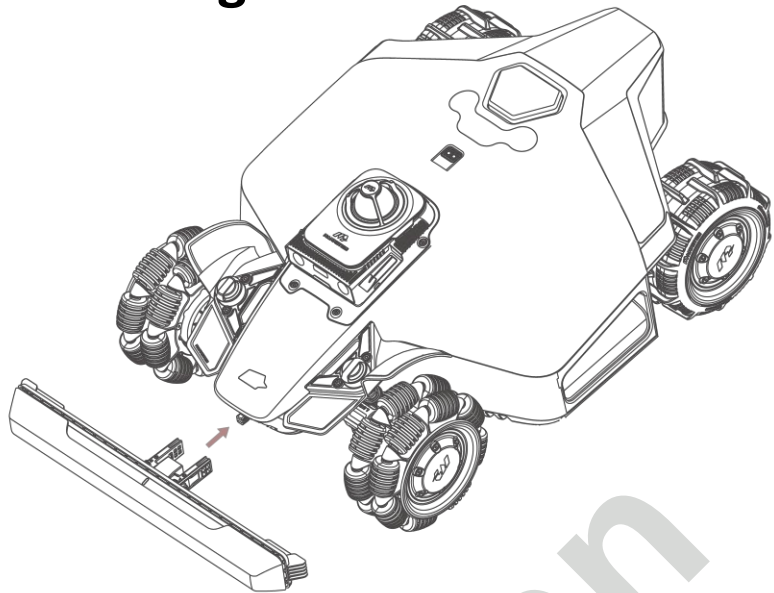
## Mower LED indicators

| LED                 | Status                     | Description  |
|---------------------|----------------------------|--|
| Side LED indicators | Red light on               | The robot is working correctly.  |
|                     | Red flashing               | <ul style="list-style-type: none"> <li>● OTA update.</li> <li>● The robot is charging.</li> </ul>  |
|                     | Red is flashing slowly     | <ul style="list-style-type: none"> <li>● STOP button activated.</li> <li>● Battery low.</li> <li>● The robot is stuck.</li> <li>● The key is not inserted correctly in the mower.</li> <li>● The robot has been lifted, tilted or overturned.</li> </ul> |
|                     | Red light flashing rapidly | <ul style="list-style-type: none"> <li>● The robot is showing an error (see the app for more details).</li> <li>● The robot update has failed.</li> </ul>  |
|                     | Not lit                    | <ul style="list-style-type: none"> <li>● The robot is switched off.</li> <li>● The robot is in standby mode.</li> <li>● The side LEDs are off in the app.</li> <li>● The robot is in manual mode but is currently inactive.</li> </ul>                   |

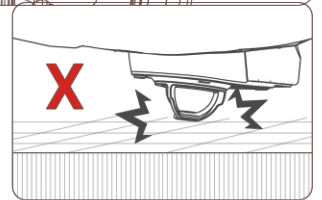
# Assembly and commissioning

## Assembling the mower

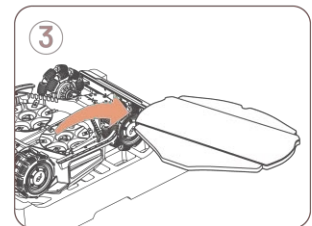
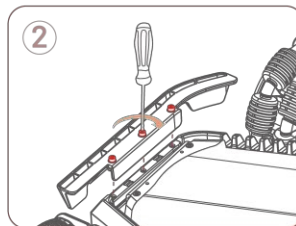
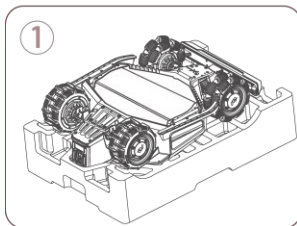
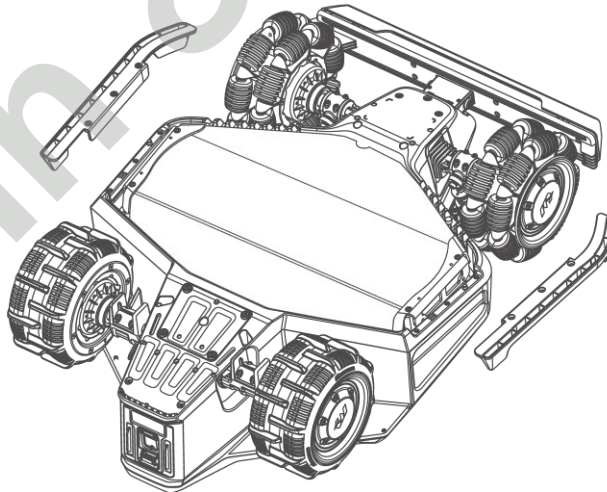
1. Carefully pull the connector out from the front of the robot and connect it to the bumper.
2. Press and hold the side buttons together to secure the bumper; the bumper LED must be facing upwards, then fit the bumper onto the robot.
3. Using the Phillips screwdriver provided, install and tighten the two screws on the top of the bumper.



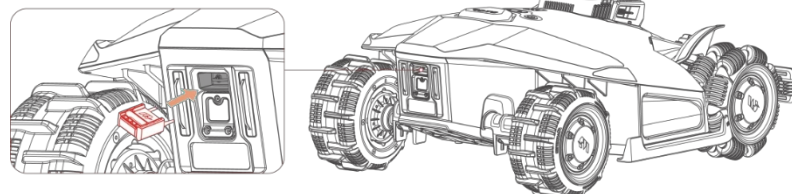
4. Place the robot with its wheels facing upwards on a soft, clean surface, taking care not to damage the LiDAR module, and fit the side bumpers. Tighten the screws using the supplied hex key.



Remove the transport safety cover from the underside of the robot.



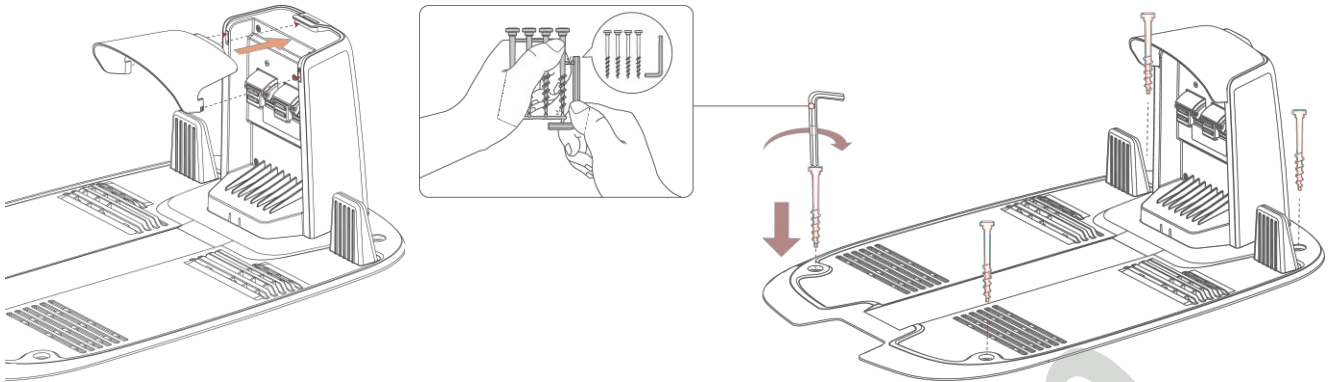
5. Insert the safety key into the rear key slot on the mower.



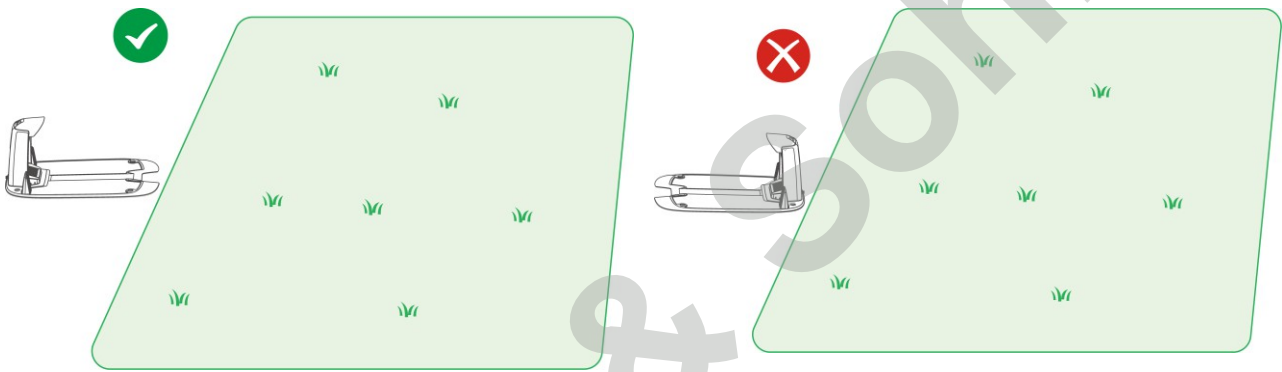


# Installing the charging base and activating the mower

1. Attach the cover to the top of the charging base.



2. Use the four pins provided to secure the charging base in the chosen location. Ensure that the charging base is facing the lawn with its approach surface.



**Flat surface:** The area should be free of significant bumps, slopes or stones.

**Nearby power supply:** An accessible socket with a residual current device (RCD) with a maximum tripping current of 30 mA is required to power the charging base.

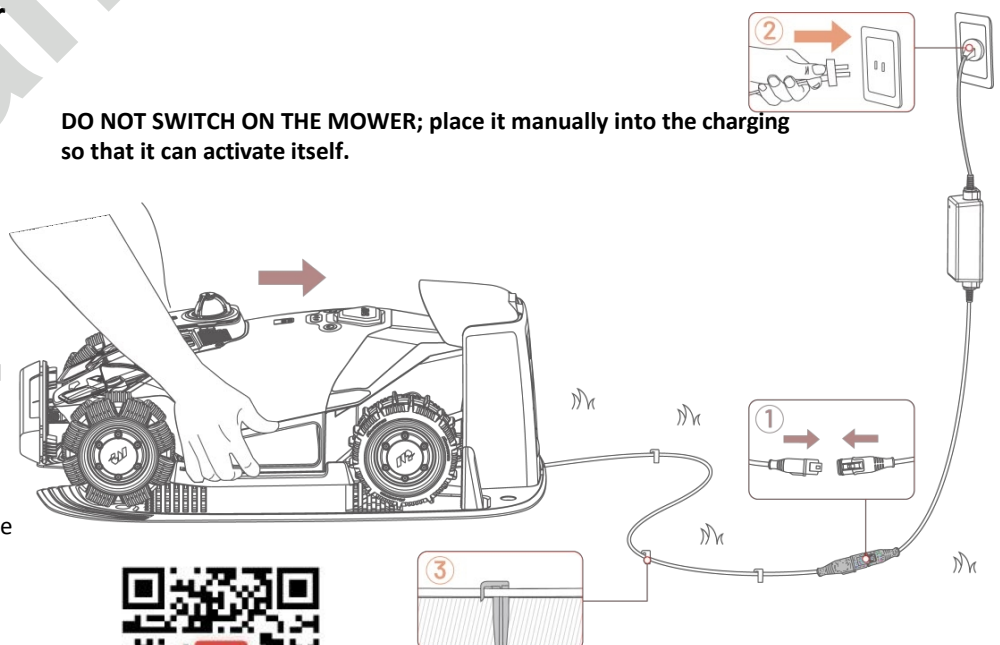
**Clear surroundings:** There must be no obstacles within a 1 m radius to the left, right and in front of the charging base.

**The charging station must have a clear view of the sky.**

## Activating the mower

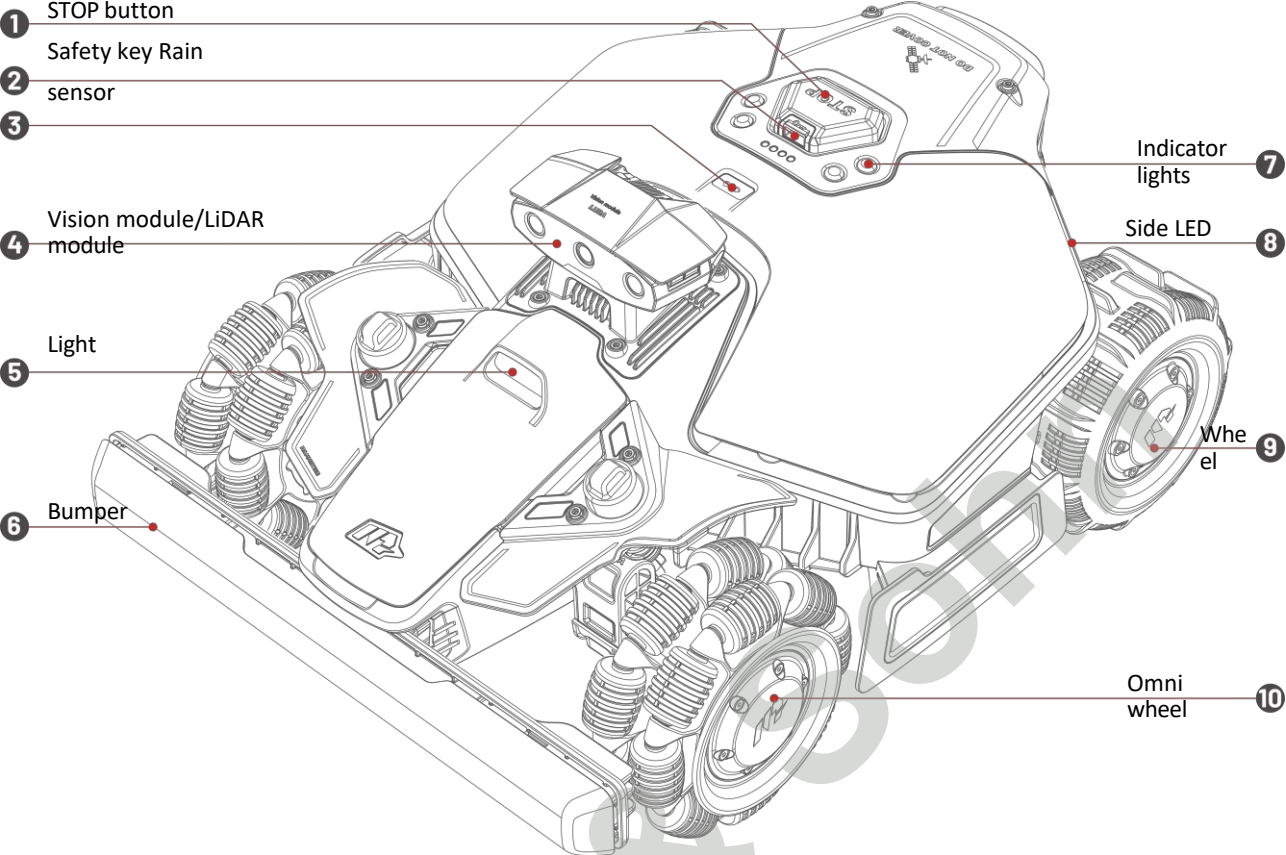
1. Connect the charging station cable to the power adapter.
2. Plug the power adapter into a mains socket. Secure the cable to the ground using the cable pegs supplied.
3. Place the mower manually into the charging dock and start charging. **Once the mower has been correctly parked in the charging dock, the side LED will light up and the mower will activate.** Allow the battery to charge fully.
4. Download the Mammotion app and follow the instructions in the app.
5. Update the mower.

**DO NOT SWITCH ON THE MOWER; place it manually into the charging so that it can activate itself.**

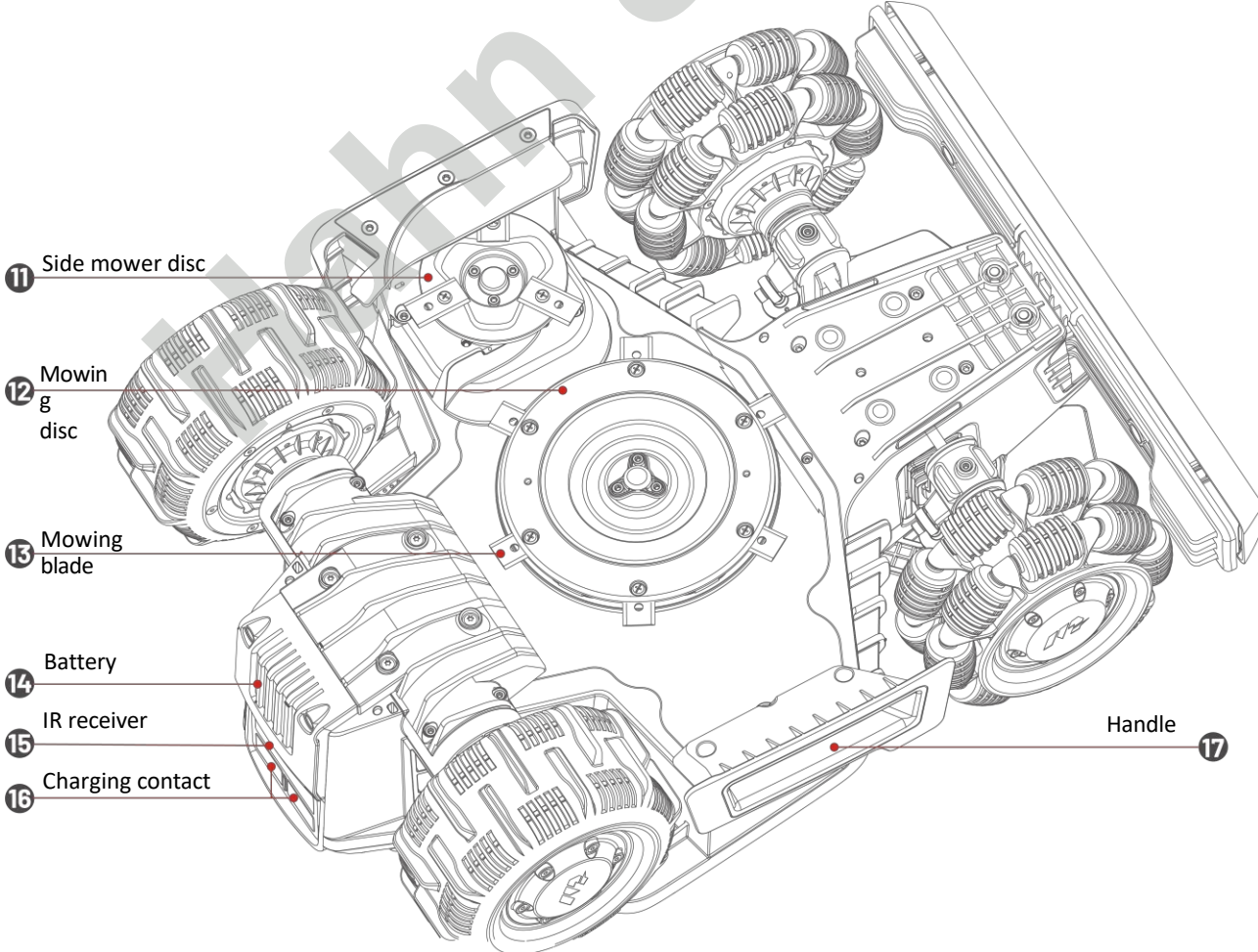


# LUBA mini 2

## Top view

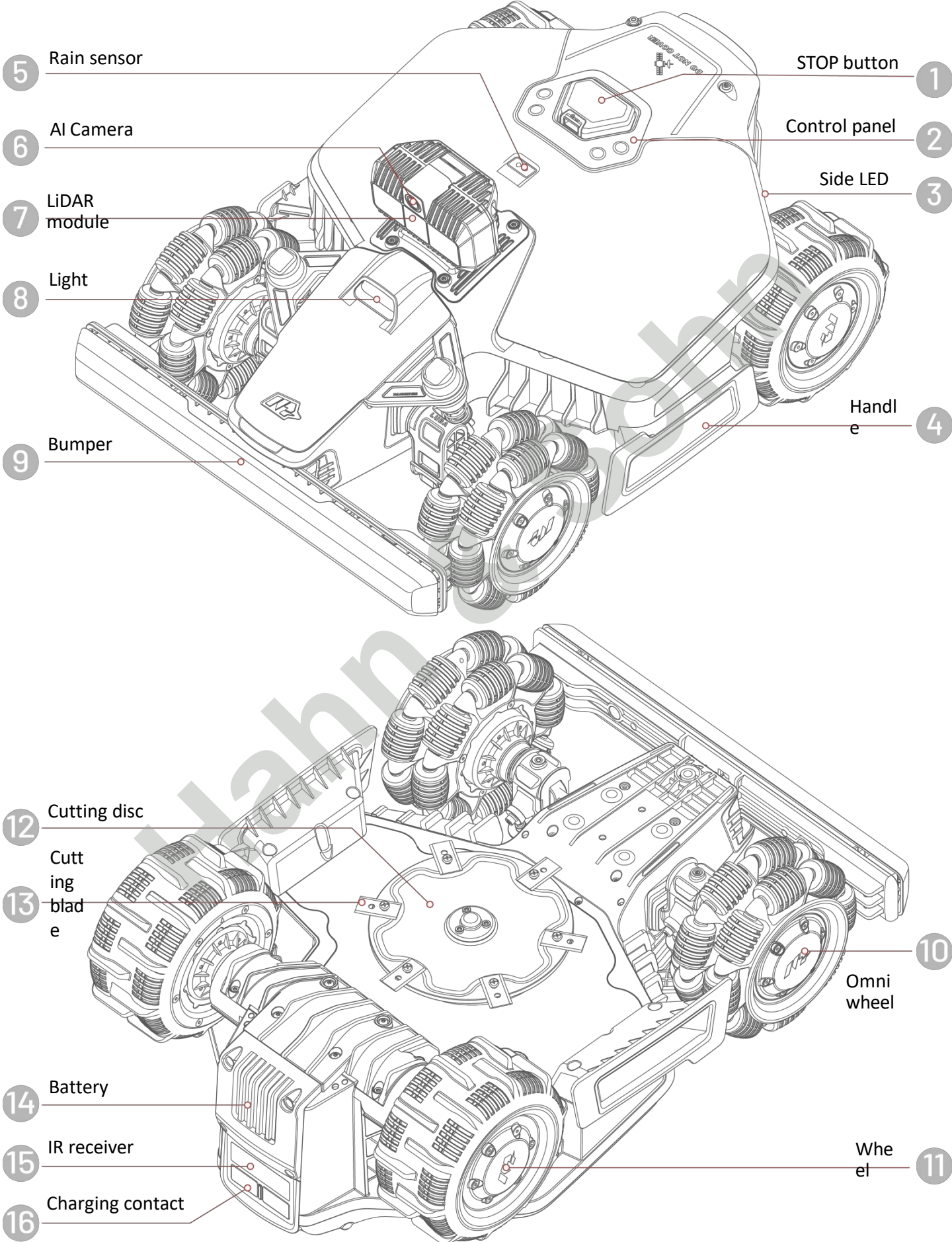


## View from below

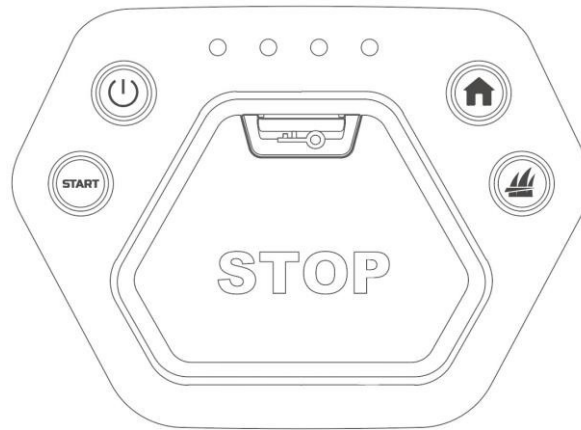


# LUBA mini LiDAR 2025

## Top view



## Buttons and indicator lights



| Button | Description   |
|--------|---|
|        | Press and hold to switch the mower on or off.   |
|        | Press twice to lower the cutting disc to its lowest position for cleaning.  |
|        | Press twice to unlock the robot only after an emergency stop.   |
|        | In an emergency, press the STOP button.   |
| >      | <ul style="list-style-type: none"> <li>● Press sequentially to resume mowing.</li> <li>● Press and hold  for 5 seconds, then press  to activate DropMow. DropMow is used for one-off mowing of unmapped lawns or for trimming the lawn outside mapped areas. The LUBA mini LiDAR 2025 model does not have this function.</li> </ul> |
| >      | Press repeatedly to initiate the return to the charging base.   |
|        | The indicator lights show the battery status (all lights on – battery is fully charged).  |

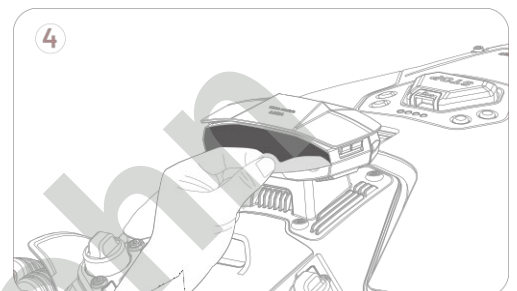
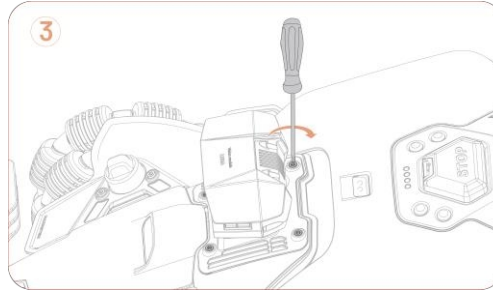
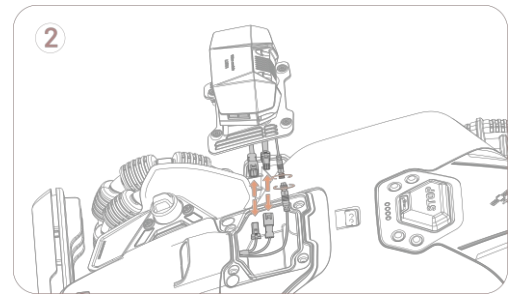
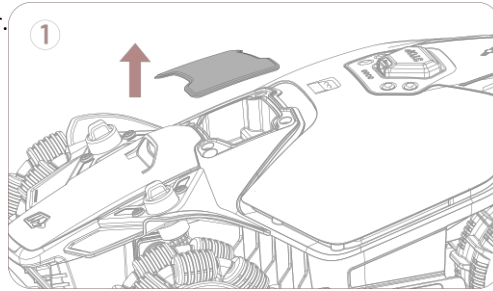
## Mower LED indicators

| LED                 | Status                            | Description  |
|---------------------|-----------------------------------|--|
| Side LED indicators | Red light on                      | The robot is working correctly.  |
|                     | Red flashing                      | <ul style="list-style-type: none"> <li>● OTA update.</li> <li>● The robot is charging.</li> </ul>  |
|                     | Red is flashing slowly            | <ul style="list-style-type: none"> <li>● STOP button activated.</li> <li>● Battery low.</li> <li>● The robot is stuck.</li> <li>● The key is not inserted correctly in the mower.</li> <li>● The robot has been lifted, tilted or overturned.</li> </ul> |
|                     | The red light is flashing rapidly | <ul style="list-style-type: none"> <li>● The robot has detected an error (see the app for more details).</li> <li>● The robot update has failed.</li> </ul>  |
|                     | Not lit                           | <ul style="list-style-type: none"> <li>● The robot is switched off.</li> <li>● The robot is in standby mode.</li> <li>● The side LEDs are turned off in the app.</li> <li>● The robot is in manual mode but is currently inactive.</li> </ul>            |
|                     |                                   |  |

# Assembly and commissioning

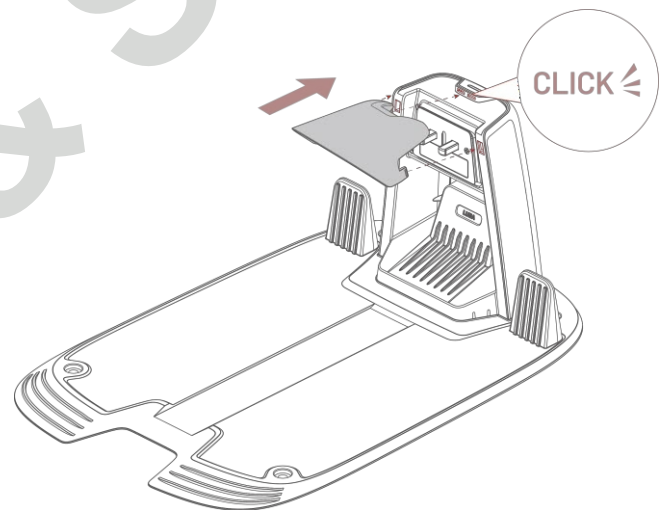
## Assembling the mower

1. Remove the cover from the mower.
2. Connect the camera module by joining the corresponding cables together.
3. Route the cables into the mower and position the camera module correctly, then tighten the module's screws.
4. Peel the protective film off the module.

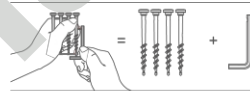


## Installing the charging base and activating the mower

1. Attach the canopy to the top of the charging base.

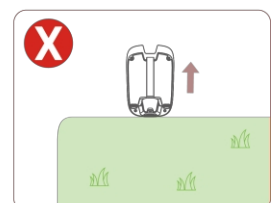
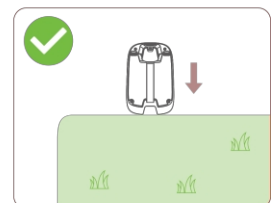
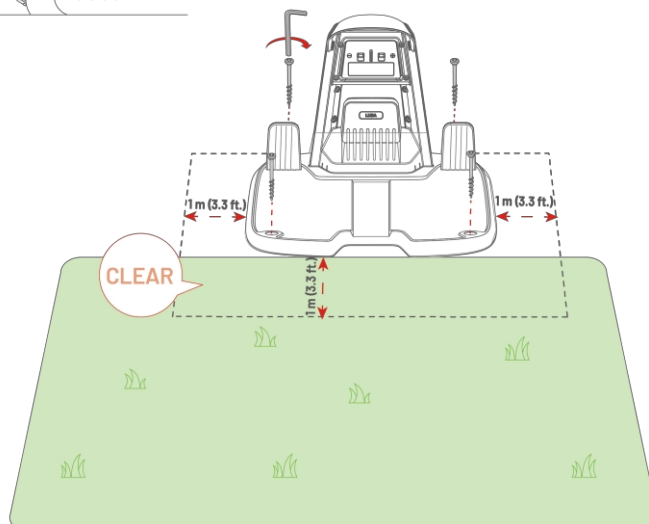


2. Use the four pins provided to secure the charging base in the chosen location. Ensure that the charging base is facing the lawn with its approach surface.



**Flat surface:** The area should be free of significant bumps, slopes or stones.

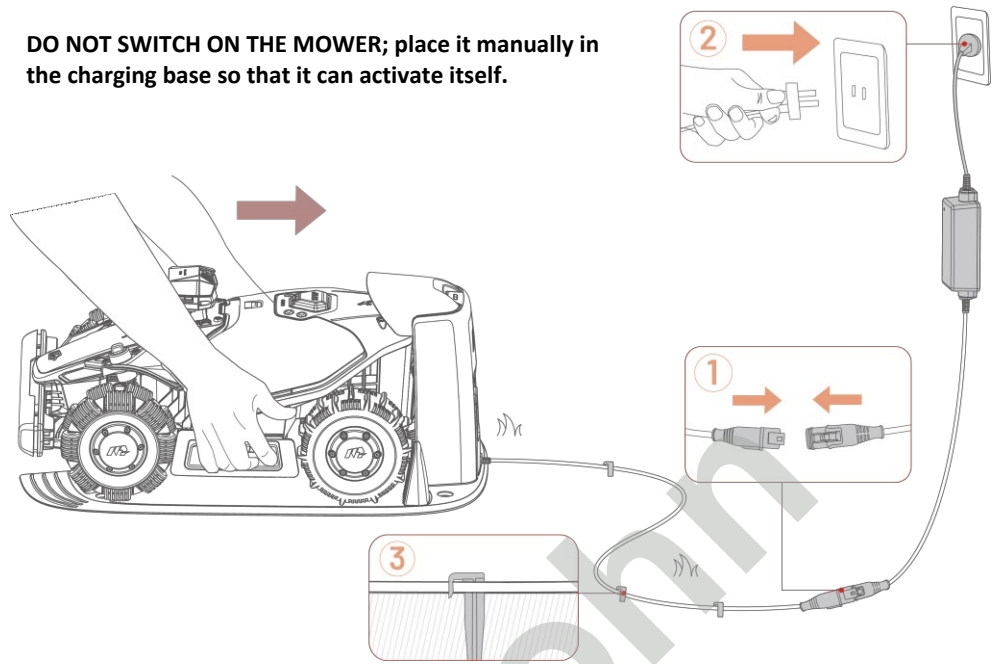
**Nearby power supply:** An accessible socket with a residual current device (RCD) with a maximum tripping current of 30 mA is required to power the charging base. **Clear surroundings:** There must be no obstacles within a 1 m radius to the left, right and in front of the charging base. **The charging base must have a clear view of the sky.**



## Activating the mower

1. Connect the charging station cable to the mains adapter.
2. Plug the power adapter into a mains socket. Secure the cable to the ground using the cable pegs provided.
3. Place the mower manually into the charging base and start charging. **Once the mower has been correctly parked in the charging base, the side LED will light up and the mower will activate.** Allow the battery to charge fully.
4. Download the Mammotion app and follow the instructions in the app.
5. Update the mower.

**DO NOT SWITCH ON THE MOWER; place it manually in the charging base so that it can activate itself.**

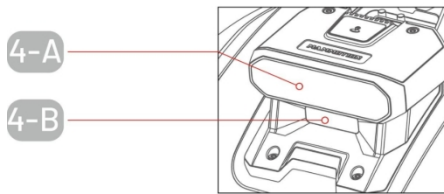
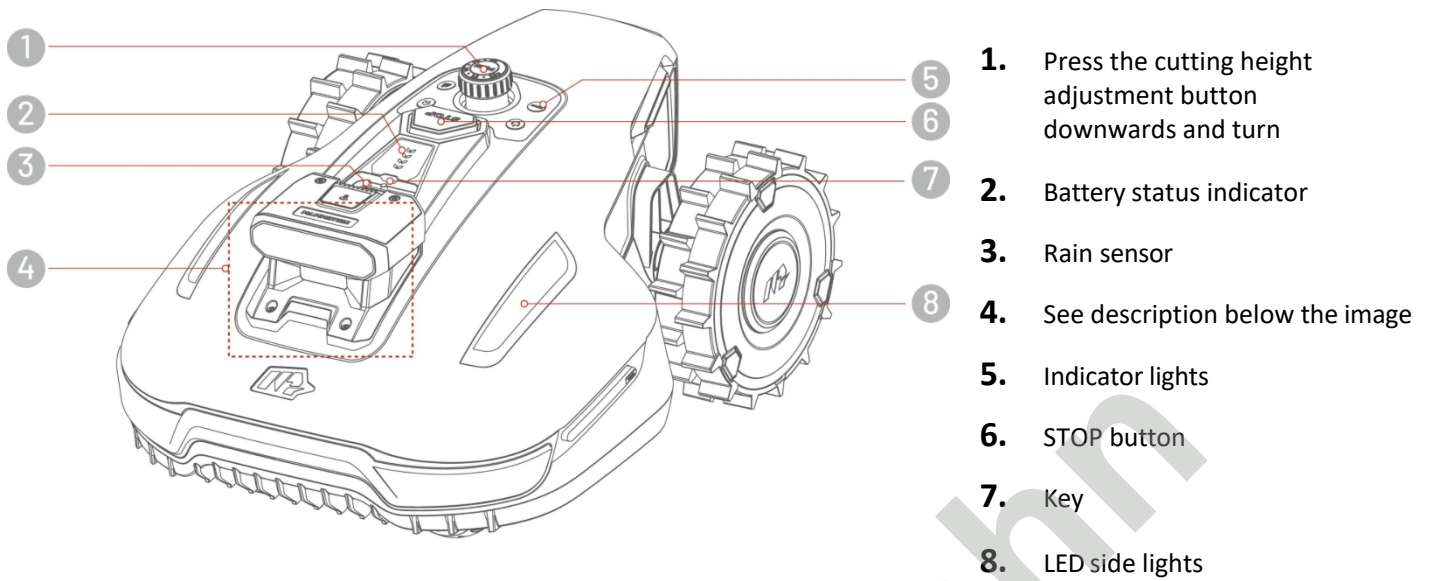


## Package contents

- 1x LUBA mini 2/LUBA mini LiDAR robotic mower
- 1x camera module
- 1x charging base
- 1x cover for the charging base
- 1x power adapter
- 1x set of tools and screws
- 1x instruction manual

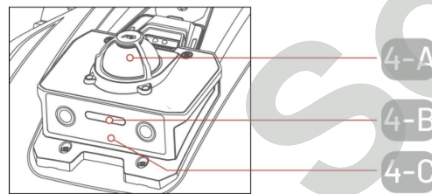
# YUKA mini 2

## Top view



**YUKA mini 2 800**

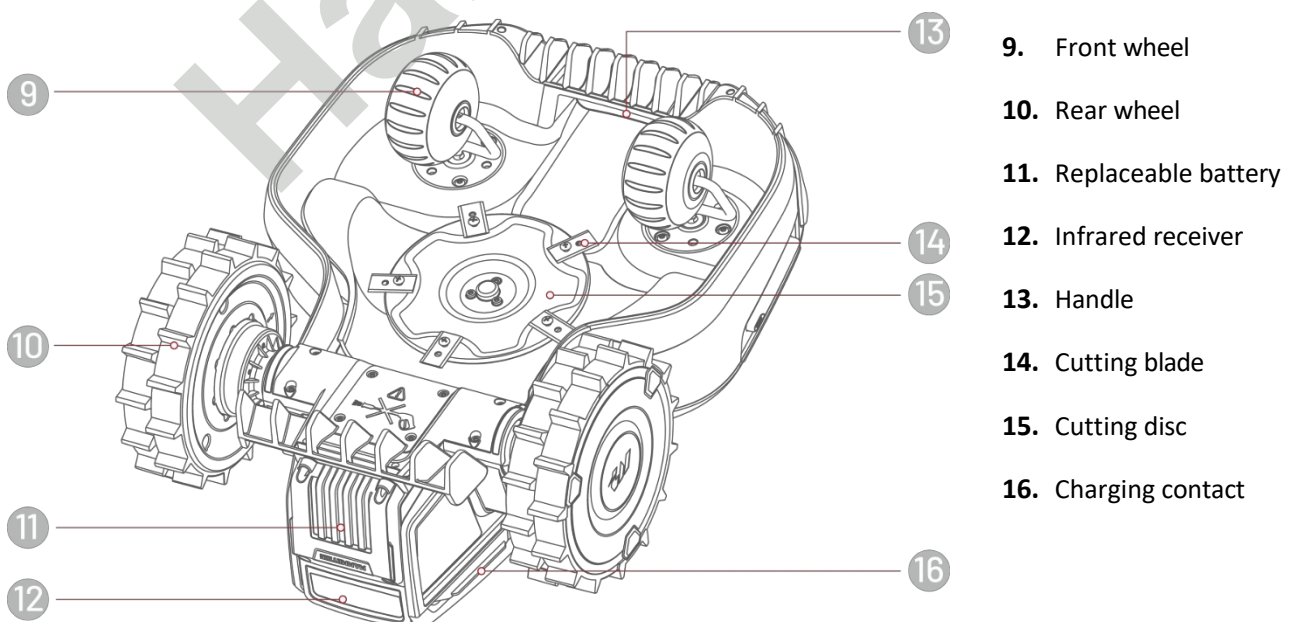
- 4. YUKA mini 2 800 module**
- 4-A. Vision module
- 4-B. Light



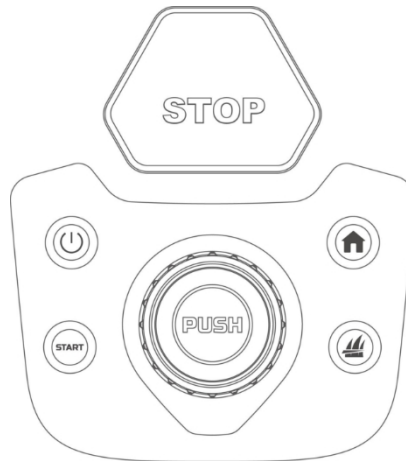
**YUKA mini 2 1000**










- 4. YUKA mini 2 1000 module**
- 4-A. 360° LiDAR
- 4-B. Light
- 4-C. Vision module

## View from below



## Buttons and indicator lights



- If any unexpected problems arise, press the **STOP** button to stop the robot immediately.
- Press and hold  to switch the robot on/off.
- Double Press  will only unlock the robot after an emergency stop.
- Press , and then press  to start the robot's return to the charging base.
- Press , and then press  to resume mowing.
- Press and hold  for 5 seconds, then press  to activate DropMow.  
DropMow is used for one-off mowing of unmapped lawns or for trimming the lawn outside mapped areas.
- Press down and turn  to manually adjust the cutting height.

## LED indicator lights on the lawnmower

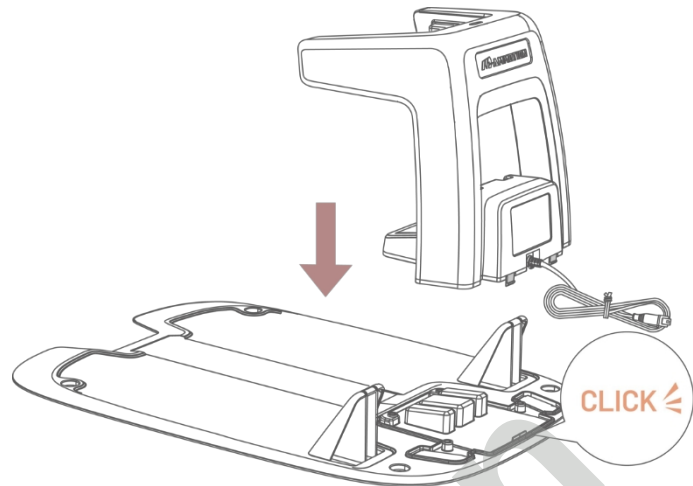
| LED                 | Status           | Description  |
|---------------------|------------------|--|
| Side LED indicators | Green light on   | The robot is working correctly.  |
|                     | Green flashing   | <ul style="list-style-type: none"> <li>● OTA update.</li> <li>● The robot is charging.</li> </ul>  |
|                     | Blue is flashing | <ul style="list-style-type: none"> <li>● STOP button activated.</li> <li>● Battery low.</li> <li>● Robot is stuck.</li> <li>● The key is not inserted correctly in the mower.</li> <li>● The robot has been lifted, tilted or overturned.</li> </ul> |
|                     | Red light is on  | <ul style="list-style-type: none"> <li>● The robot is showing an error (see the app for more details).</li> <li>● The robot update has failed.</li> </ul>  |
|                     | Not lit          | <ul style="list-style-type: none"> <li>● The robot is switched off.</li> <li>● The robot is in standby mode.</li> <li>● The side LEDs are turned off in the app.</li> <li>● The robot is in manual mode but is currently inactive.</li> </ul>        |



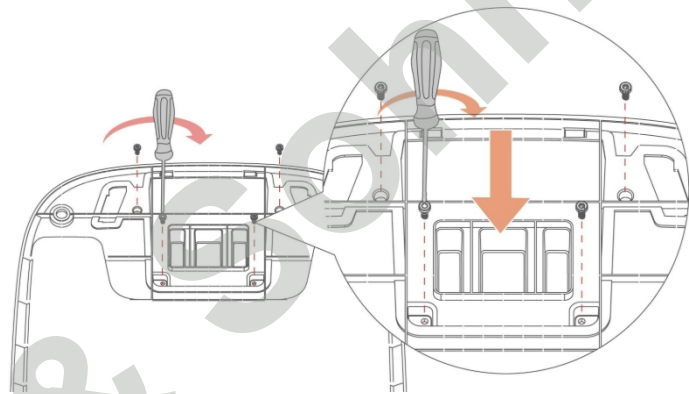
# Assembly and commissioning

## Assembling the charging base

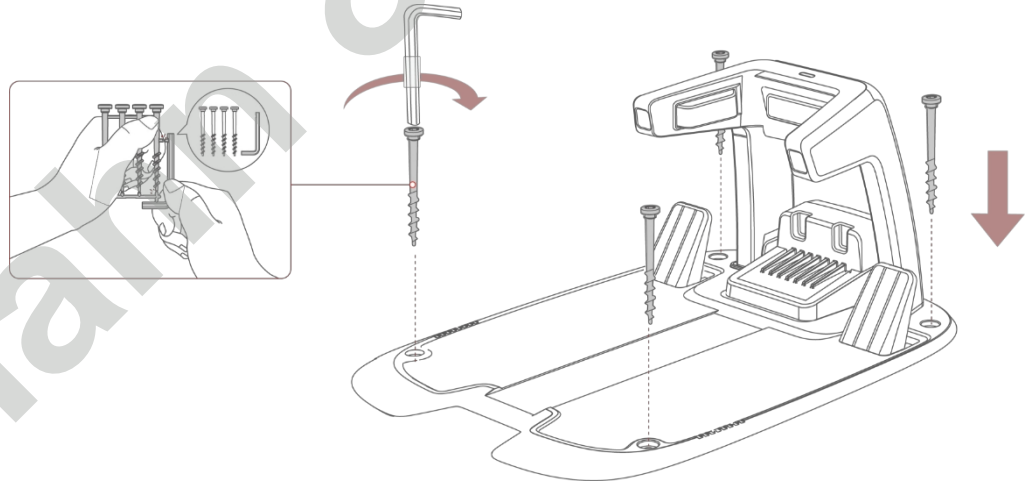
1. Insert the charging tower into the charging base's stand until you hear a CLICK.



2. Insert the four screws into the underside of the charging base as shown in the illustration and tighten them using the screwdriver provided.

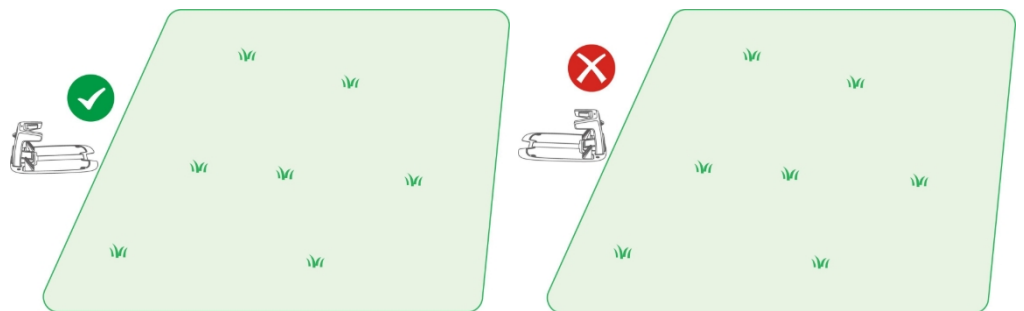


3. Use the four pins provided to secure the charging base in the chosen location. Ensure that the charging base faces the lawn with its approach surface.

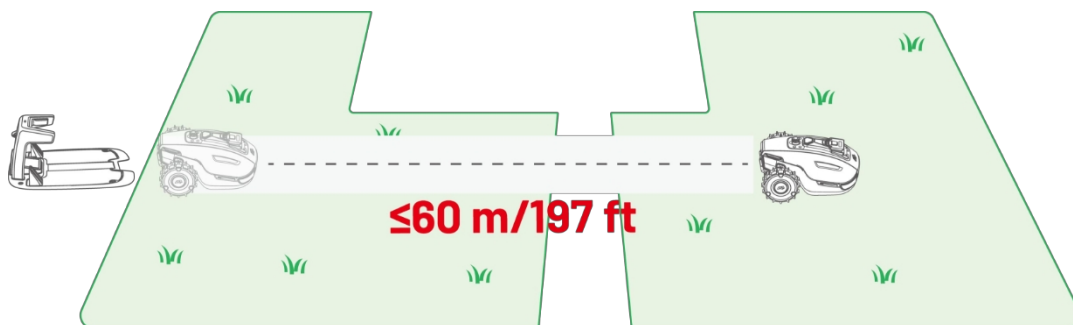


**Flat surface:** The area should be free of significant bumps, slopes or stones.

**Nearby power supply:** An accessible socket with a residual current device (RCD) with a maximum tripping current of 30 mA is required to power the charging base. **Clear surroundings:** There must be no obstacles within a 1 m radius to the left, right and in front of the charging base. **The charging base must have a clear view of the sky.**



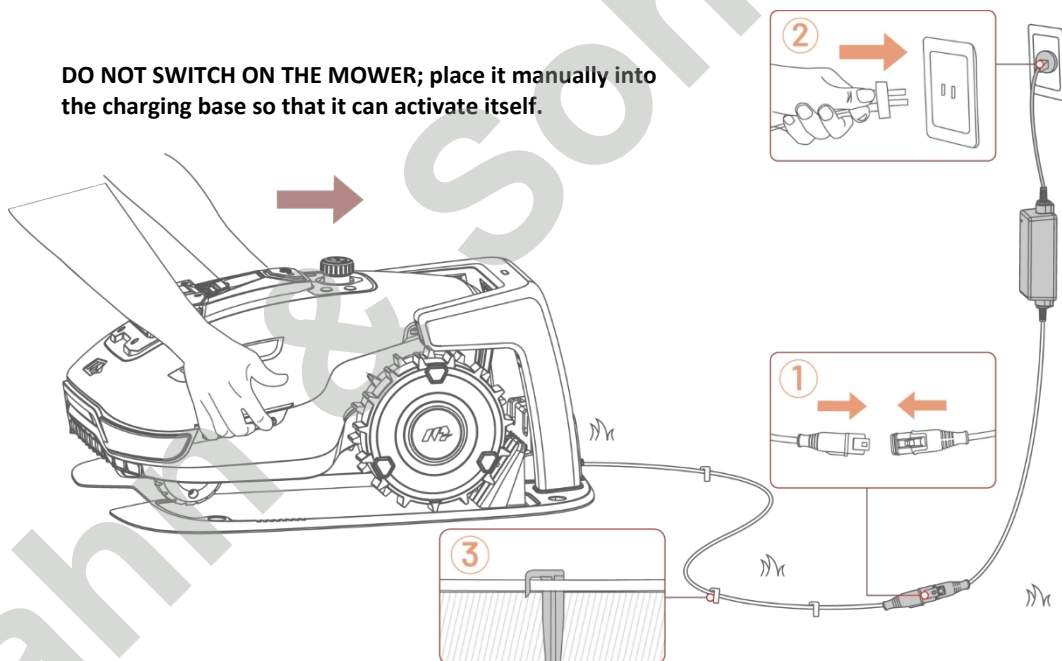
**Near the lawn (YUKA mini 2 800 only):** For accurate positioning, ensure that the distance between the charging base and the robot does not exceed 60 m during the mapping process. If you have more than one lawn area, it is recommended to place the charging base between them for optimal performance.



## Activating the mower

1. Connect the charging base cable to the power adapter.
2. Plug the power adapter into a mains socket. Secure the cable to the ground using the supplied cable pegs.
3. Place the mower manually into the charging base and start charging. **Once the mower has been correctly parked in the charging base, the side LED will light up and the mower will activate.** Allow the battery to charge fully.
4. Download the Mammotion app and follow the instructions in the app.
5. Update your mower.

**DO NOT SWITCH ON THE MOWER; place it manually into the charging base so that it can activate itself.**



## Package contents

- 1x YUKA mini 2 robotic lawnmower
- 1x charging base tower
- 1x charging base stand 1x power adapter
- 1x set of tools and screws
- 1x user manual

Hahn & Sohn

# Warranty card

|                        |
|------------------------|
| <b>Model:</b>          |
| <b>Serial No.:</b>     |
| <b>Date of sale:</b>   |
| <b>Seller's stamp:</b> |

This warranty certificate applies to products imported into the Czech Republic by BLAKAR trading s.r.o., business premises: Azalková 1272, 252 42 Jesenice, Company ID: 282343391, VAT No.: CZ28234391.

## WARRANTY TERMS

- The product is covered by a quality warranty for a period of 36 months from the date of sale to the consumer.
- The warranty covers defects demonstrably caused by faulty materials.
- The warranty does not cover defects caused by transport, failure to follow the operating instructions provided in the manual, poor maintenance, mechanical damage, tampering with the product, or faults caused by power supply failures, incorrect installation, or unsuitable placement (dusty, chemical or otherwise unsuitable environments).
- The warranty does not cover defects caused by normal wear and tear (in the case of batteries, in particular loss of capacity; the battery life is at least 6 months from the date of sale, or wear and tear mower blades, mower discs, tyres, wheels, etc.).
- To claim under the warranty, you must present proof of purchase (e.g. an invoice, receipt or a completed warranty certificate stamped by the seller)

### Authorised service centre for the Czech

**Republic:** BLAKAR trading s.r.o., Azalková  
1272, 252 42 Horní Jirčany, Czech  
Republic

**Tel.:** +420 774 737 789, +420 606 839 644

(Mon – Fri 8:00–16:30)

**Email:** servis@blakar.cz

**[www.lubasekacky.cz](http://www.lubasekacky.cz)**



Copyright © 2026, MAMMOTION All Rights Reserved.

The information contained in this warranty certificate is valid as of the date of printing; subject to change due to updates and printing errors.